

**Installation instructions  
and User guide**

**Built-in oven**

**Instructions d'installation  
et Guide d'utilisation**

**Four encastré**

OB24SDPX model

US CA

Dear Customer,

Thank you for having purchased and given your preference to our product.

The safety precautions and recommendations reported below are for your own safety and that of others. They will also provide a means by which to make full use of the features offered by your appliance.

Please preserve this booklet carefully. It may be useful in future, either to yourself or to others in the event that doubts should arise relating to its operation.

This appliance must be used only for the task it has explicitly been designed for, that is for cooking foodstuffs. Any other form of usage is to be considered as inappropriate and therefore dangerous.

The manufacturer declines all responsibility in the event of damage caused by improper, incorrect or illogical use of the appliance.



## IMPORTANT - PLEASE READ AND FOLLOW

- ✓ Before beginning, please read these instructions completely and carefully.
- ✓ Do not remove permanently affixed labels, warnings, or plates from the product. This may void the warranty.
- ✓ Please observe all local and national codes and ordinances.
- ✓ Please ensure that this product is properly grounded.
- ✓ **The installer should leave these instructions with the consumer who should retain for local inspector's use and for future reference.**

Electrical installation must be in accordance with the National Electrical Code, ANIS/ NFPA70 - latest edition and/or local codes.


IN CANADA: Electrical installation must be in accordance with the current CSA C22.1 Canadian Electrical Codes Part 1 and/or local codes.

This appliance is designed and manufactured solely for the cooking of domestic (household) food and is not suitable for any non-domestic application and therefore should not be used in a commercial environment.

The appliance warranty will be void if the appliance is used within a non-domestic environment i.e. a semi-commercial, commercial or communal environment.

# USER INSTRUCTIONS

## IMPORTANT PRECAUTIONS AND RECOMMENDATIONS

- ✓ After having unpacked the appliance, check to ensure that it is not damaged. If you have any doubts, do not use it and consult your supplier or a professionally qualified technician.
- ✓ Packing elements (i.e. plastic bags, polystyrene foam, nails, packing straps, etc.) should not be left around within easy reach of children, as these may cause serious injuries.
- ✓ The packaging material is recyclable and is marked with the recycling symbol .
- ✓ Do not attempt to modify the technical characteristics of the appliance as this may become dangerous to use.
- ✓ The manufacturer cannot be considered responsible for damage caused by unreasonable, incorrect or rash use of the appliance.
- ✓ If you should decide not to use this appliance any longer (or decide to substitute an older model), before disposing of it, it is recommended that it be made inoperative in an appropriate manner in accordance to health and environmental protection regulations, ensuring in particular that all potentially hazardous parts be made harmless, especially in relation to children who could play with old appliances.
- ✓ The appliance should be installed and all the electrical connections made by a qualified technician in compliance with local regulations in force and following the manufacturer's instructions

## IMPORTANT PRECAUTIONS AND RECOMMENDATIONS FOR USE OF ELECTRICAL APPLIANCES

Use of any electrical appliance implies the necessity to follow a series of fundamental rules. In particular:

- ✓ Never touch the appliance with wet hands or feet;
- ✓ Do not operate the appliance barefooted;
- ✓ Do not allow children or disabled people to use the appliance without your supervision.

The manufacturer cannot be held responsible for any damages caused by improper, incorrect or unreasonable use of the appliance.

## USING THE OVEN FOR THE FIRST TIME

You are advised to carry out the following operations:

- ✓ Assemble the interior of the oven as described under the heading "Cleaning and maintenance"
- ✓ Switch the empty oven ON at maximum temperature for about two hours to eliminate traces of grease and smell from the components.
- ✓ Let the oven cool down, switch off the electrical supply, then clean the inside of the oven with a cloth soaked in water and neutral detergent and dry thoroughly.

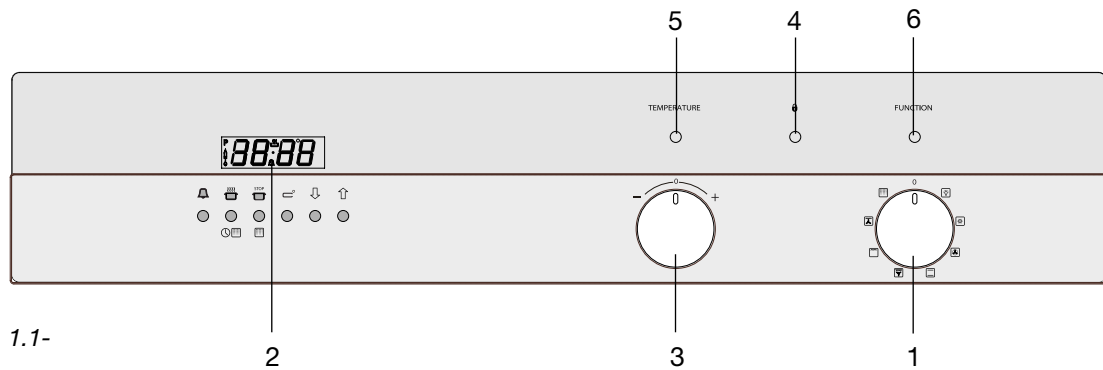


Fig. 1.1-

### Oven controls:

1. Function selector knob
2. Electronic programmer
3. Temperature knob (potentiometer)
4. Door locked pilot light
5. Oven heating pilot light
6. Oven on pilot light

### **WARNING - VERY IMPORTANT NOTE:**

The temperature knob (potentiometer) turns to right and left only to symbols + and -. Forcing the turning could damage the temperature knob.

## GENERAL FEATURES

The oven has special operating features.

Five different functions can be used to satisfy all cooking needs; it also has a self cleaning function which can clean the oven cavity at high temperature, a defrost function and an oven light function.

These functions are managed by an electronic programmer which keeps the temperature set constant by means of a probe inside the oven cavity.

The oven has the following heating elements:

- Lower heating element (double) 500 + 1300 W
- Upper heating element 1000 W
- Grill heating element 2000 W
- Circular heating element 2200 W

## USING THE OVEN FOR THE FIRST TIME

- Put the shelf and the tray in the oven.
- Switch the oven on when it is empty (on any cooking function – **NOT SELF CLEANING**) at maximum power for about 2 hours to remove traces of grease and smells from the components.
- When the oven has cooled down and the appliance disconnected from the electrical supply, clean the inside of the oven with a cloth soaked in water and neutral detergent and dry it completely.

### WARNING:

**The door is hot, use the handle.**

## OPERATING PRINCIPLES

Heating and cooking in the multifunction self cleaning oven takes place as follows:

- **by normal convection**  
The heat is produced by the upper and lower heating elements.
- **by forced convection**  
The heat produced by the circular element is distributed throughout the oven by the fan.
- **by radiation**  
The heat is radiated by the infra red broil element.
- **by radiation and fan**  
The radiated heat from the infra red broil element is distributed throughout the oven by the fan.
- **by double radiation and fan**  
The fan distributes the heat radiated by the broil heating element and the upper heating element in the oven.
- **by ventilation**  
The food is defrosted by using the fan only function without heat.
- **by self cleaning**  
The heat produced by the heating elements cleans the internal oven cavity removing all residue of grease.  
**THIS IS NOT A COOKING FUNCTION**

## NOTES ON OVEN WORKING

**A cooling fan starts automatically when selecting a cooking or self cleaning mode. It stops when turning the selector knob to OFF or light or defrosting position and the inside oven cavity temperature drops below 100 °C (212 °F).**

**The purpose of this fan is to reduce the temperature inside/outside the appliance.**

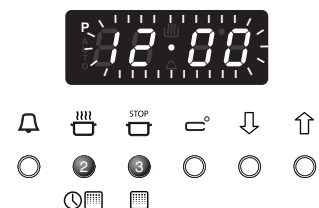
**Note:** The first time the oven is used or after a black-out the program must be started by pressing keys 2 and 3 simultaneously. See the section on the use of the electronic programmer.

**Attention: the oven door becomes very hot during operation. Keep children away.**

**VERY IMPORTANT**  
**The oven shall be used always with the door closed.**

### WHEN THE SELF CLEANING MODE HAS BEEN COMPLETED:

- **do not start immediately a new self cleaning cycle: LET THE OVEN TO COOL DOWN.**



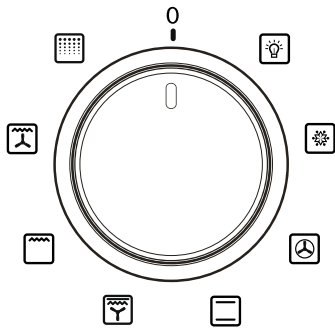


Fig. 2.1

## SELECTING THE FUNCTIONS (fig. 2.1)

The cooking function is selected by turning the function selector knob and matching the mark with the symbol printed on the print (or the symbol with the mark printed on the print).

**Important: In all cooking functions the oven must always be used with the DOOR CLOSED.**



If the door stays open “*door*” appears on the programmer display and after five minutes an audible warning sounds for 30 seconds and “*door*” flashes.

To silence the audible warning press any programmer pushbutton.

**NOTE:** The heating elements work even with the door open and this signal just indicates that energy is being wasted and the control panel/knobs are excessively heated.



### OVEN LIGHT (this is not a cooking function)

Turning the knob to this position, only the oven lamp lights up. The lamp is always on in all the cooking functions (not for the self cleaning).



### DEFROSTING FROZEN FOODS (this is not a cooking function)

Only the fan and the oven lamp switch on. Defrosting takes place by fan, without heating. The electronic program shows **DEF**



**Recommended for:**

To rapidly defrost frozen foods; 2.2 lbs (1 kg) requires about one hour. The defrosting times vary according to the quantity and type of foods to be defrosted.



### CONVECTION COOKING WITH VENTILATION

The circular element and the fan switch on. The heat from the back is diffused by fan convection. The temperature can be set between 120 °F (50 °C) and 480 °F (250 °C). On selecting this function the electronic program starts cooking with a pre-heating temperature set at 320 °F (180 °C). To vary the temperature see the “Setting the cooking” section.

**Recommended for:**

For foods of large volume and quantity which require the same internal and external degree of cooking; for ex: rolled roasts, turkey, legs, cakes, etc.



### TRADITIONAL CONVECTION COOKING

The upper and lower heating elements switch on. The heat is diffused by natural convection and the temperature must be set between 120-°F (50 °C) and 480 °F (250 °C). On selecting this function the electronic programmer starts cooking with a pre-heating temperature set at 350 °F (200 °C). To vary the temperature see the “Setting the cooking” section.

**Recommended for:**

For foods which require the same cooking temperature both internally and externally, i. e. roasts, spare ribs, etc.



### VENTILATED COOKING WITH DOUBLE BROIL

The infrared element, the upper heating element and the fan switch on. The heat is mainly diffused by radiation and the fan distributes it in the whole oven. The temperature can be set between 120 °F (50 °C) and 480 °F (250 °C).

On selecting this function the electronic program starts cooking with a pre-heating temperature set at 480 °F (240 °C).

To vary the temperature see the “SETTING THE COOKING” section.

For correct use see the “VENTILATED BROILING” section.

**Recommended for:**

Meats which are to be cooked at a high temperature but which must remain tender. Fish remains more tender; turn it once during cooking.



### BROILING

The infrared heating element switches on.

The heat is diffused by radiation. The temperature can be set between 120 °F (50 °C) and 480-°F (250 °C). On selecting this function the electronic program starts cooking with a pre-heating temperature set at 480 °F (210 °C).

To vary the temperature see the “SETTING THE COOKING” section.

For correct use see the “BROILING” section.

**Recommended for:**

Intense broiling action for cooking with the broiler; browning, crisping, toasting, etc. For correct use see the “BROILING” section.



### VENTILATED BROILING

The infrared heating element and the fan switch on. The heat is mainly diffused by radiation and the fan distributes it in the whole oven.

The temperature can be set between 120 °F (50 °C) and 480-°F (250 °C). On selecting this function the electronic program starts cooking with a pre-heating temperature set at 480 °F (220 °C). To vary the temperature see the “SETTING THE COOKING” section.

**Recommended for:**

For grill cooking when a fast outside browning is necessary to keep the juices in, i. e. veal steak, steak, hamburger, etc. For correct use see the “VENTILATED BROILING” section.



## SELF CLEANING FUNCTION (this is not a cooking function)

### IMPORTANT NOTES:

**This is not a cooking function but is only used to clean the oven.**

**Before starting the self cleaning cycle:**

- **Take all the accessories out of the oven (broiling pan and shelves).**
- **Clean any traces of liquid which have overflowed.**
- **Close the oven door and make sure that it is closed properly.**

**If there are cracks or flaws on the oven door glass (inside/outside) or if the gaskets are ruined or worn or if the door does not close perfectly, unplug the appliance and contact the Service Centre.**

**CAUTION: During the self cleaning cycle the accessible parts may become hot. Keep children away.**

#### IMPORTANT:

**The health of some birds is extremely sensitive to the fumes given off during the self-cleaning cycle.**

**Exposure to the fumes may result in death to certain birds.**

**Always move birds to another closed and well ventilated room.**

#### WHEN THE SELF CLEANING MODE HAS BEEN COMPLETED:


- **do not start immediately a new self cleaning cycle on the same oven: LET THE RANGE TO COOL DOWN.**

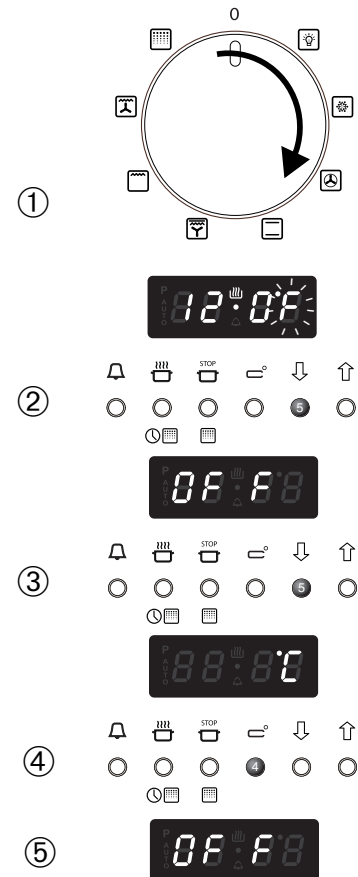
### GENERAL INFORMATION

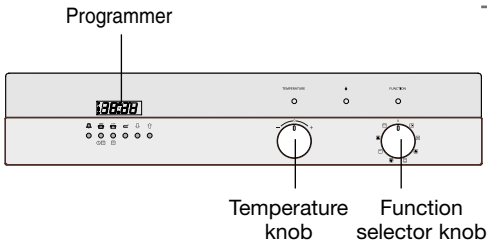
- In this function the residual cooking greases on the inside walls of the oven cavity are pulverised by the high temperature. The fumes produced during this process are filtered by a special catalyst in the upper part of the appliance.
- Smells and fumes produced during self cleaning are not a cause of alarm. Adequate ventilation should however be provided in the room where the range is installed, e.g. by opening a window.
- Do not wait for the oven to be very greasy before performing this cleaning. It should not be performed after every cooking, either, but only when the level of dirt justifies it (on average 1 – 2 times a month depending on oven use).
- For safety reasons (high temperature of the oven cavity), when the self cleaning starts, the oven door is automatically locked by an electronic device (after about 30 seconds on the control panel the door locked pilot light lights up). The door can no longer be opened and is only unlocked at the end of the cleaning cycle or, stopping the cycle, when the oven cavity has cooled to a temperature lower than 570 °F (300 °C).
- When the self cleaning function starts an internal fan starts automatically to cool the oven walls. It only stops at the end of the cycle, when the oven cavity temperature has dropped below 212 °F (100 °C).
- The procedures for starting, stopping and completing the self cleaning cycle and dealing with any problems are described in the following section:
  - "How to start the self cleaning cycle"
  - "Problems on starting and during the self cleaning cycle"
  - "How to stop the self cleaning cycle"
  - "What to do when the self cleaning cycle has finished"
  - "Abnormal situations and/or operating problems"



## SELECTING °F/°C ON THE DISPLAY

1. Turn the oven selector knob to a cooking function (i.e. ).
2. Press key 5 on the programmer to reduce the temperature until you reach the minimum value (120 °F/50 °C).
3. With °F/°C flashing on the display press key 5 again (if °F/°C is not flashing press key 4 before pressing key 5) until OFF appears on the display.
4. Keep key 4 pressed for about 3/5 seconds until the display changes from °C to °F or vice versa. During selection °C or °F is flashing.
5. When OFF appears again on the display turn the selector knob to 0 (OFF) position; the selection to °C or °F has been completed.



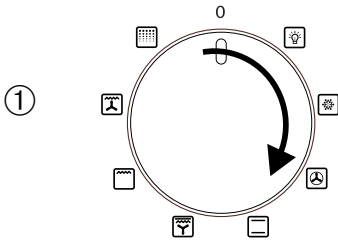


## SETTING THE COOKING (ONLY FOR THE COOKING FUNCTIONS)

**NOTE:** The temperature knob (potentiometer) turns to right and left only to symbols + and -. Forcing the turning could damage the temperature knob.

The temperature set is shown on the electronic program display and can be varied, with 5 °F (5 °C) intervals, by means of the temperature knob (potentiometer) or the program keys.

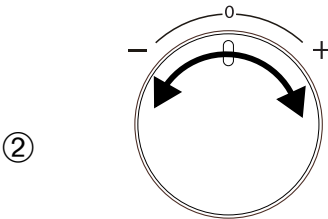
During cooking the oven temperature (°F or °C) is measured by a sensor inside the cavity and is shown on the program display until set temperature is reached. If set temperature is less than inside oven temperature, the display shows the set temperature.



### 1. SELECTING THE COOKING FUNCTION

**Turn the selector knob to the cooking function required**

The pre-set temperature appears on the program display. °F or °C flashes on the display for 3 seconds. The heating elements start cooking immediately.



### 2. SETTING THE COOKING TEMPERATURE

**Turn the potentiometer knob clockwise to increase the temperature or anticlockwise to reduce it.**

The maximum temperature which can be set is 480 °F (250 °C) while the minimum temperature is 120 °F (50 °C).

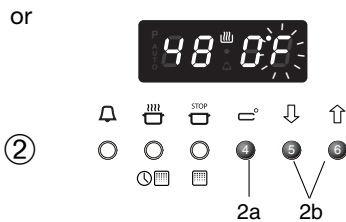
*or use the program keys in the following way:*

The temperature can be changed when °F or °C is flashing on the display.

**2a. If °F or °C is not flashing press key 4 of the program.**

**2b Press key 6 to increase the temperature or key 5 to reduce it.**

The maximum temperature which can be set is 480 °F (250 °C) while the minimum temperature is 120 °F (50 °C).



**Note:** When °F or °C becomes steady the value shown on the display indicates the oven cavity temperature until set temperature is reached. If set temperature is less than inside oven temperature, the display shows the set temperature.

**Caution:** If a temperature below the minimum value (120 °F or 50 °C) is set the system switches off automatically and **OFF** appears. In this case repeat the procedure from point 2.




### 3. SWITCHING OFF

Turn the selector knob to position 0 (OFF). The program display shows the time.

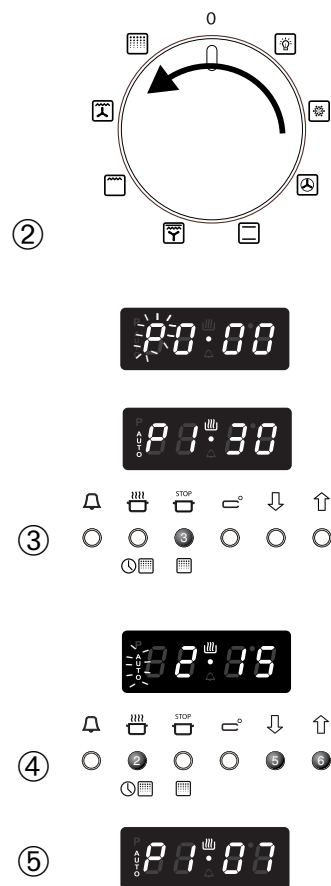
## HOW TO START THE SELF CLEANING CYCLE

**Important: the self cleaning cycle must only be performed with the oven empty; so, before starting the cycle take all the accessories (shelves, broiling pan, ...) out of the oven cavity and dry any traces of overflowed liquid. Do not use any degreasing products (e.g. degreasing sprays, detergents, etc.).**

1. **Close the oven door** (if it is open or not closed properly the self cleaning cycle will not start).
2. **Turn the oven selector knob to the self cleaning position** ; **P0•00** appears on the electronic program display with the letter **P** flashing.
3. **Press push button 3 on the program** to start the cycle.  
This combined confirmation operation offers greater safety when there are children; in fact turning the knob to the self cleaning function has no effect if key 3 of the program is not then pressed.
  - **P1•30** (self cleaning time, 1 hour and 30 minutes) appears and the door is locked after about 30 seconds;
  - On the control panel the door locked pilot light lights up to indicate that the door is locked.
4. To increase the self cleaning cycle time (max 5 hours) press key 2 of the program then key 6. To go backwards to the minimum of 1 hour and 30 minutes press key 2 then key 5.
  - During the setting **AUTO** flashes and **P** disappears.
5. The self cleaning cycle starts immediately and is completed in the programmed time.
  - Throughout the self cleaning cycle the program displays the time (hours and minutes) remaining until the cycle is finished.

### VERY IMPORTANT:

**The self cleaning cycle only starts with the oven door closed. If the door is open or not closed properly the oven CANNOT perform the self cleaning cycle; electronic safety devices prevent the self cleaning cycle from starting.**



## PROBLEMS ON STARTING AND DURING THE SELF CLEANING CYCLE



### 1. Steady door

The function selector has been turned to the self cleaning position with the oven door open or not perfectly closed. Or the door has been opened before the cycle has been started with confirmation from key 3

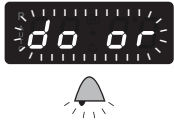
*What to do:*

Close the door and repeat previous cycle.

- If after 5 minutes the door has not been closed **door flashes and an audible signal sounds for 30"**.

*What to do:*

Close the door, press any program key to silence the audible signal and repeat the operations to start the cycle.



### 2. door with AUTO flashing

The oven door has been opened after the self cleaning cycle has started (before locking the door). The self cleaning cycle is zeroed.

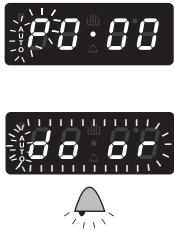
*What to do:*

1. Close the door. **P0•00** appears on the electronic program display with the letter **P** and **AUTO** flashing.
2. Turn the function selector to 0 (OFF) and repeat the operations to start the cycle.

- If after 5 minutes the door has not been closed **door flashes and an audible signal sounds for 30"**.

*What to do:*

Close the door, press any program key to silence the audible signal and repeat the operations to start the cycle.



### 3. F0.00 with AUTO flashing

The self cleaning cycle has been stopped and then started again when it was quite a way through. The message is displayed after about 10 minutes and the self cleaning cycle is zeroed.

*What to do:*

1. Put the switch to 0 (OFF).
2. Wait for at least 15 minutes.
3. Repeat the operations to start the self cleaning cycle.
4. If after several attempts the message continues contact the Service Centre.

**Caution: It is advisable not to stop the self cleaning cycle and then start it again when it is quite a way through.**

## HOW TO STOP THE SELF CLEANING CYCLE

### 1. Turn the function selector to 0 (OFF)

#### - If the oven cavity temperature is higher than 570 °F (300 °C)

1a. The time of day appears steadily on the program display.

1b. When the oven cavity temperature drops below 570 °F (300 °C):

- **OFF** appears on the program display again
- the door locked pilot light goes out
- the door unlocks and can be opened

#### - If the oven cavity temperature is lower than 570 °F

1c. The time appears on the program display

1d. After a technical time:

- the door locked pilot light goes out
- the door unlocks and can be opened

**IMPORTANT: Wait for the oven to cool down completely before starting a cooking function.**

### ACCIDENTAL INTERRUPTION OF THE SELF CLEANING CYCLE

### 2. The function selector has been turned to any cooking function

#### - If the oven cavity temperature is higher than 570 °F (300 °C)

2a. The time of day appears steadily on the program display.

2b. When the oven cavity temperature drops below 570 °F (300 °C):

- **OFF** appears on the program display
- when door locked pilot light goes out (after some minutes) the door unlocks and can be opened

2c. To reset normal conditions turn the function selector to 0 (OFF). The time appears on the program display.

#### - If the oven cavity temperature is lower than 570 °F (300 °C)

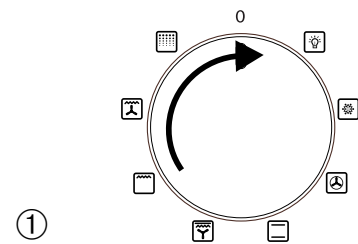
2d. Pre-set temperature of the selected function appears on the program display.

2e. After a technical time:

- the door locked pilot light goes out
- the door unlocks and can be opened

2f. To reset normal conditions turn the function selector to 0 (OFF). The time appears on the program display.

**IMPORTANT: Wait for the oven to cool down completely before starting a cooking function.**



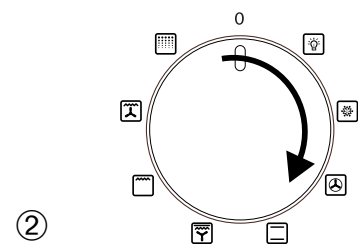
①



1a



1b



②



2a



2b



2d

## WHAT TO DO WHEN THE SELF CLEANING CYCLE HAS FINISHED

### 1. P0.00 with AUTO flashing.

**Wait for the oven to cool down and the door to unlock.**

The self cleaning cycle has finished. **P0.00** will remain until the door is unlocked. The door remains locked until the cavity temperature has dropped below 570 °F (300°C).

### 2. The door locked light goes out (when the temperature has dropped below 570 °F - 300 °C).

**AUTO and the letter P flash.**

The door is unlocked and can be opened.

### 3. Turn the function selector knob to 0 (OFF).

The time appears on the programmer display.

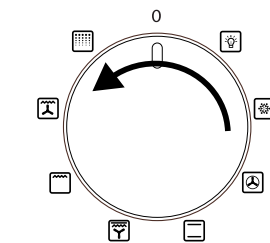
### 4. Wait for the oven to cool down completely.

### 5. Remove the pulverised dirt.

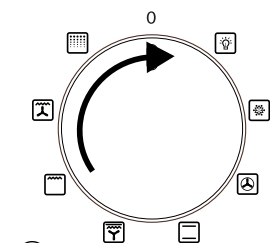
Open the oven door and remove the residue of pulverised dirt inside the oven with a damp cloth.

**IMPORTANT: Before switching the oven on again in any function wait for the appliance to cool down completely.**

①



②

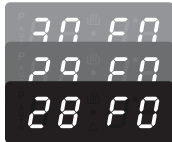


③



## **ABNORMAL SITUATIONS AND/OR OPERATION PROBLEMS**

during cooking or the self cleaning cycle.



### **1. 30 F0 or 30 F1 appear during the cooking or self cleaning cycle**

Oven temperature sensor broken or not working properly. The cooling fan stays on and if the self cleaning cycle is in progress the door remains locked.

*What to do:*

1. Turn the oven function selector to 0 (OFF). A 30 minute countdown will start. If the selector is turned and then returned to 0 (OFF) the count will start again from 30.
2. Wait for the countdown to finish.  
The fan switches off and the door, if locked, unlocks.
3. Disconnect the appliance from the main electrical supply and contact the Service Centre because the oven can no longer be used.

**Caution:** If the function selector is not turned to 0 (OFF), the cooling fan will continue to work and the oven door, if locked, remains locked.

### **2. F0.00 appears during the self cleaning cycle**

This indicates a temperature sensor measurement error during the self cleaning cycle. This may be due to the self cleaning cycle being stopped and started again when it was quite a way through.

*What to do:*

1. Turn the oven selector knob to 0 (OFF).
2. Wait for at least **15 minutes** before repeating the operations to start the self cleaning cycle.
3. If the message is still given after several attempts call the Service Centre.

### **3. Display OFF - Oven not working properly.**

*What to do:*

1. Turn the function selector to 0 (OFF)
2. Wait for the oven to cool down completely so that the door opens
3. Switch the appliance off for a few seconds.


If after this procedure the display is still off:

4. Disconnect the appliance from the main electrical supply-
5. Call the Service Centre. The appliance must not be used.

## COOKING ADVICE

### STERILIZATION

Sterilization of foods to be conserved, in full and hermetically sealed jars, is done in the following way:

- Turn the switch to position .
- Set the thermostat knob to position 350 °F (175 °C) and preheat the oven.
- Fill the grill pan with hot water.
- Set the jars into the grill pan making sure they do not touch each other and the door and set the thermostat knob to position 260 °F (130 °C).

When sterilization has begun, that is, when the contents of the jars start to bubble, turn off the oven and let cool.



**WARNING!!**

**WARNING  
VERY IMPORTANT**


**It is advisable to handle the oven accessories using oven gloves.**

### ROASTING

To obtain classical roasting, it is necessary to remember:

- the pre-set temperature should be maintained
- that the cooking time depends on the quantity and the type of foods.



### COOKING DIFFERENT DISHES AT THE SAME TIME

The MULTIFUNCTION oven at positions  of the function selector can cook various different foods at the same time. Fish, cakes and meat can be cooked together without the smells and flavours mixing.

The only precautions required are the following:

- The cooking temperatures must be as close as possible with a maximum difference of 70-80 °F (20-25 °C) between the different foods.
- Different dishes must be placed in the oven at different times according to the cooking time required for each one. This type of cooking obviously provides a considerable saving on time and energy.

### VENTILATED BROILING AND “AU GRATIN”

Broiling may be done by selecting  or  with the function selector knob, because the hot air completely envelops the food that is to be cooked.

Set the temperature if a temperature different from the pre-set one is required.

Introduce the food to be cooked, positioning the grill pan as close to the infra-red element as possible.

Close the door and let the oven operate until broiling is done.

Adding a few dabs of butter before the end of the cooking time gives the golden “au gratin” effect.

**Broiling with the oven door closed.**

**Important: Use always suitable protective gloves when inserting/removing the broiling pan from the oven (see next page).**

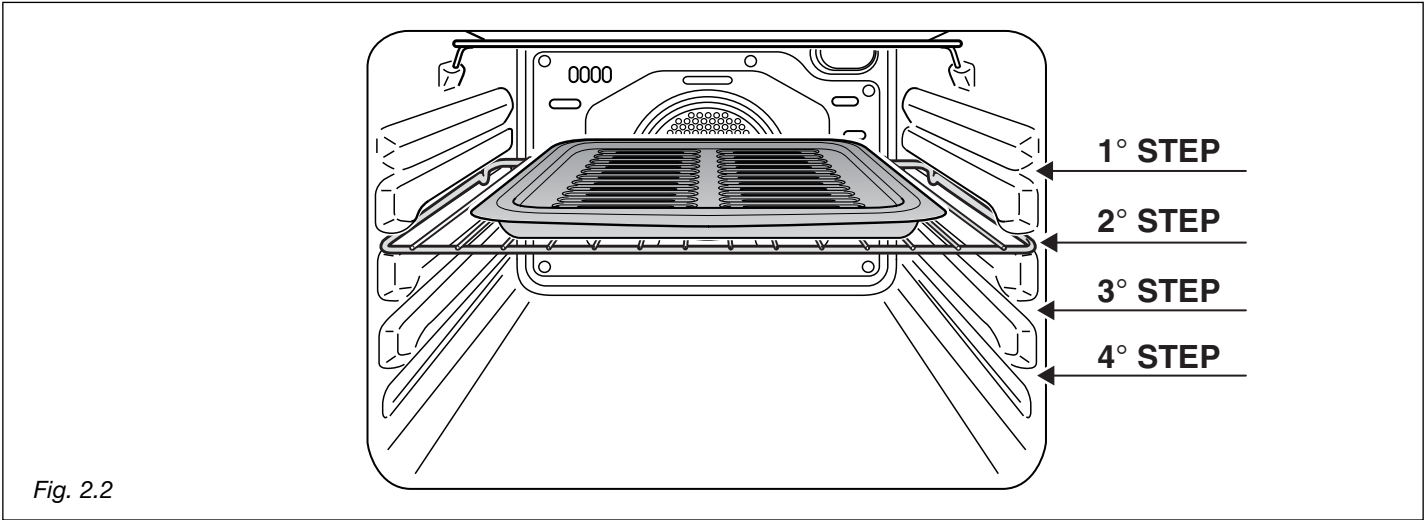


Fig. 2.2

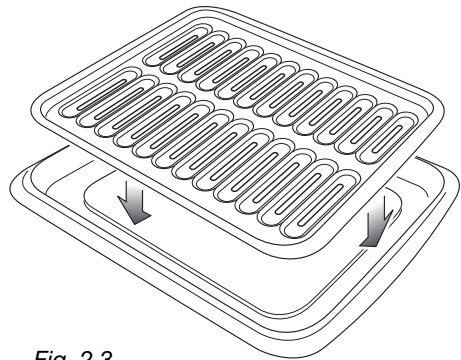


Fig. 2.3

### BROILING

**Very important: the broil element must always be used with the oven door closed.**

- Position the shelf on the first or second level from the top (fig. 2.2).
- Turn on the broil element, as explained in the preceding paragraphs and let the oven preheat for about 5 minutes with the door closed.
- Place the food to be cooked above the broiler tray.
- Introduce the broiler tray (fig. 2.3) in the oven. The broiler tray should be placed above the shelf and it should be centered with the broil element (fig. 2.2).

**Do not broil without using the broiling pan.**

**Important: Use always suitable protective gloves when inserting/removing the broiling pan, shelves, pans or other cooking utensils from the oven.**

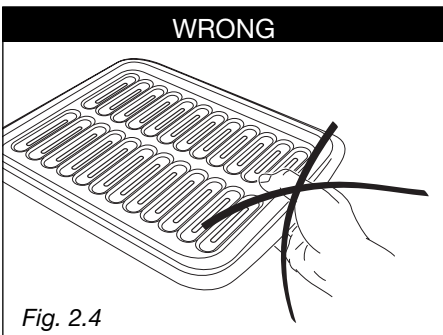


Fig. 2.4

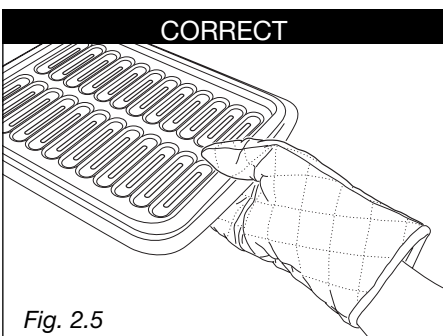



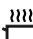




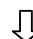

Fig. 2.5



The electronic programmer is a device which groups together the following functions:

- 12 hours clock with illuminated display (P on the display for PM time indication).
- Timer (up to 23 hours and 59 minutes).
- Program for semi-automatic oven cooking.
- Program for automatic oven cooking.
- Management of the cooking functions. The programmer can manage setting the temperature in the various cooking functions.
- Management of the self cleaning function.

## Description of the pushbuttons:

-  Timer (1)
-   Cooking time or self cleaning time (2)
-   End of cooking time or allowance to start self cleaning cycle (3)
-  Setting oven temperature (4)
-  Countdown of the figures of all the functions or of the temperature to be set-(5)
-  Advance of the figures of all the functions or of the temperature to be set (6).

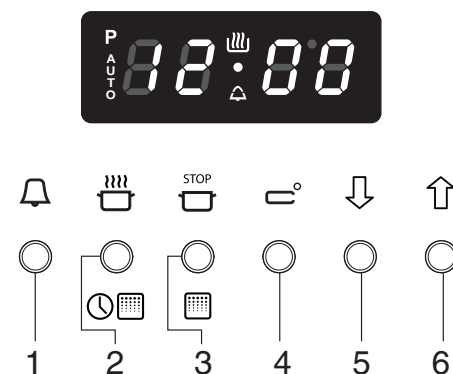




Fig. 3.1

## Description of the light symbols:

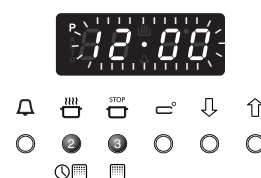
- AUTO** Indicates that a program has been set
-  Indicates that the heating elements are working
-  Indicates that the timer is working
- P** Indicates PM time

## ON SWITCHING ON FOR THE FIRST TIME OR AFTER A BLACK-OUT

After the appliance has been connected to the mains or after there has been a black-out the programmer must be activated so that it can work.

**12:00** flashes on the display.

1. Press keys 2 and 3 at the same time.  
The programmer starts to work.



## SETTING THE TIME

The programmer has an electronic clock (12 hours) with luminous figures which indicate hours and minutes.

**Note:** Setting the clock will zero any programmes in progress or set.

1. Press pushbuttons 2 and 3 at the same time.
2. Press pushbuttons 5 or 6 until the exact time is set. During this phase the dot between hours and minutes will flash on the display. If the plus or minus keys are kept pressed for a few seconds, the figures will scroll more quickly.  
**P** on the display indicates PM time.



## AUDIBLE SIGNAL

The intermittent audible signal, duration 30 seconds, sounds when the timer or semi-automatic or automatic cooking have reached the end of the time set. It also sounds to signal that the door is open (see oven use chapters).

To silence the audible signal press any of the programmer keys.



## TIMER

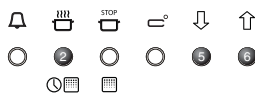
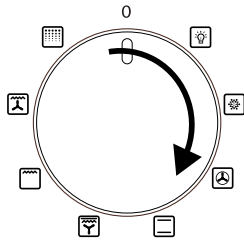
The timer function is only used to count the time and does not influence oven operation or any program which are in progress or set.

1. Press push button 1. The bell symbol will start to flash.
2. Press keys 5 or 6 to set the time required.
3. The countdown starts immediately. The bell symbol stops flashing and the time appears again.
4. To see the countdown press push button 1. The time will be indicated in hours and minutes; the seconds are only indicated for the last minute.
5. At the end of the countdown an audible signal sounds and the bell symbol on the display flashes.  
Press any push button to stop the audible signal.

**IMPORTANT WARNING:** This function is only an electronic alarm and does not switch OFF the oven. Remember to turn OFF manually the selector knob at the end of the countdown.

## SEMI-AUTOMATIC COOKING

**Start immediate cooking and switch the oven off automatically after the programmed cooking time.**



### Setting

1. Set the cooking function by turning the oven selector to the function required.
2. The cooking temperature appears on the display. To change it proceed as described in the "Setting the cooking" section.
3. Press push button 2. **AUTO** starts to flash and **0.00** appears.
4. Press push buttons 5 or 6 to set the cooking time (cooking time in hours and minutes: set it to ten minutes less than the time required because the stored heat will complete the cooking).
5. On the display **AUTO** becomes steady and the cooking program starts.

### During cooking

6. During the cooking cycle, the display shows the oven temperature measured by the probe or pre-set temperature.  
Press key 2 to display the time remaining until the end of cooking.  
The cooking time and temperature can be varied at any time, as described above.

### At the end of cooking

7. **End** appears on the display, **AUTO** flashes and the audible signal sounds.  
The cooking cycle has finished and the oven is OFF.
8. Press any program push button to stop the audible signal.
9. **OFF** appears (oven OFF).
10. Turn the function selector to 0 (OFF).
11. The program display shows the time.

**Note:** At the end of the program always turn the function selector knob to 0 (OFF).

## AUTOMATIC COOKING

Start cooking at the programmed time and switch the oven off automatically after the programmed cooking time.

### Setting

1. Set the cooking function by turning the oven selector to the function required.
2. The cooking temperature appears on the display. To change it proceed as described in the Setting the cooking section.
3. Press push button 2. **AUTO** starts to flash and **0.00** appears.
4. Press push buttons 5 or 6 to set the cooking time (cooking time in hours and minutes: set it to ten minutes less than the time required because the stored heat will complete the cooking).
5. On the display **AUTO** becomes steady and the cooking program starts.
6. Press push button 3 (**AUTO** starts to flash).
7. Press push buttons 5 or 6 to set the time when the cooking should finish.  
The values set must be correct; e.g. if it is 08:00 a cooking time of 3 hours, ending at 10:00, cannot be set. In this case the programmer automatically sets the end of cooking time for 11:00.
8. On the display **AUTO** becomes steady and the time appears again. The cooking symbol goes out.

### Starting cooking

9. The pan symbol lights up. The oven switches on and the cooking cycle set starts.

### During cooking

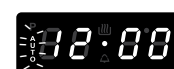
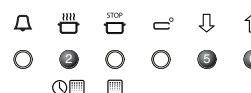
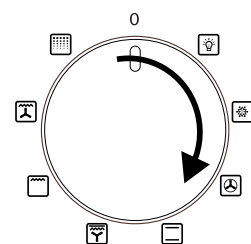
10. During the cooking cycle, the display shows the oven temperature measured by the probe or pre-set temperature.  
Press key 2 to display the length of cooking set.  
Press key 3 to display when the cooking will finish.  
The cooking time, end of cooking time and cooking temperature can be varied at any time, as described above.

### At the end of cooking

11. **End** appears on the display, **AUTO** flashes and the audible signal sounds.  
The cooking cycle has finished and the oven is OFF.
13. Press any push button to stop the audible signal.
14. **OFF** appears (oven OFF).
15. Turn the function selector to 0 (OFF).
16. The program display shows the time.



**Note: At the end of the program always turn the function selector knob to 0 (OFF).**

**IMPORTANT: During AUTOMATIC COOKING PROGRAM the oven light is always on, also before starting (heating elements on or cycling) of the programmed cooking.**



## CANCELLING A SET PROGRAM

To cancel any program just turn the function selector to 0 (OFF).

**Note:** if during a set program the function selector is turned to 0 (OFF),  or , the program is cancelled.

## EXAMPLES OF PROGRAMMING AUTOMATIC COOKING

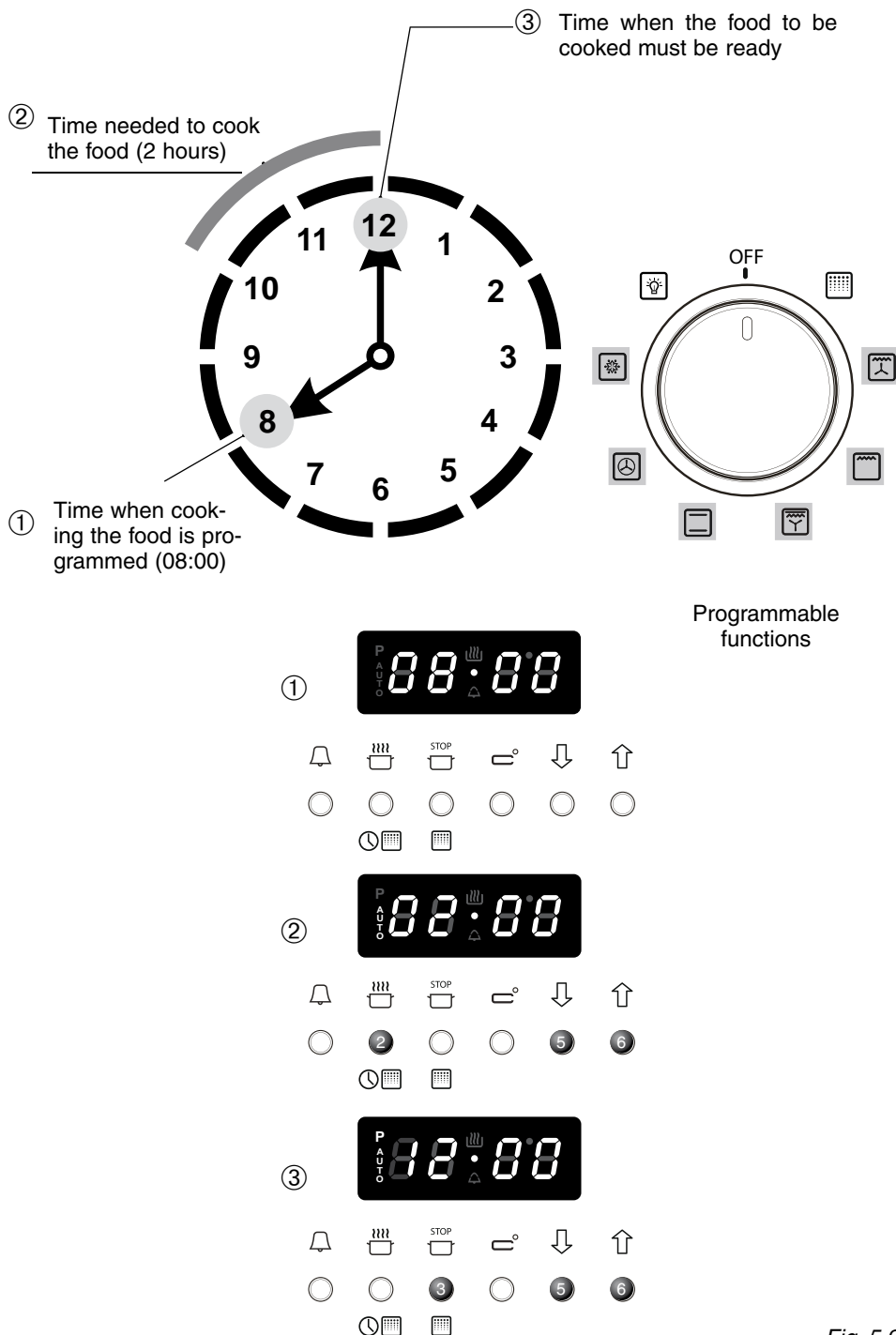


Fig. 5.2

## GENERAL RECOMENDATION

- ✓ **Important: Before any operation of cleaning and maintenance disconnect the appliance from the electrical supply.**
- ✓ It is advisable to clean when the appliance when it is cold and especially for cleaning the enamelled parts.
- ✓ Avoid leaving alkaline or acidic substances (lemon juice, vinegar, etc.) on the surfaces.
- ✓ Avoid using cleaning products with a chlorine or acidic base.  
The oven must always be cleaned after every use, using suitable products and keeping in mind that its operation for 30 minutes on the highest temperature eliminates most grime reducing it to ashes.

### WARNING VERY IMPORTANT

**Before any operation of maintenance disconnect the appliance from the electrical main supply.**

## ENAMELLED PARTS

- ✓ All enamelled parts must be cleaned with a sponge and soapy water only or other non-abrasive products.  
Dry preferably with a chamois leather.

## PAINTED PARTS AND SILK-SCREEN PRINTED SURFACES

- ✓ Clean using an appropriate product. Always dry thoroughly.

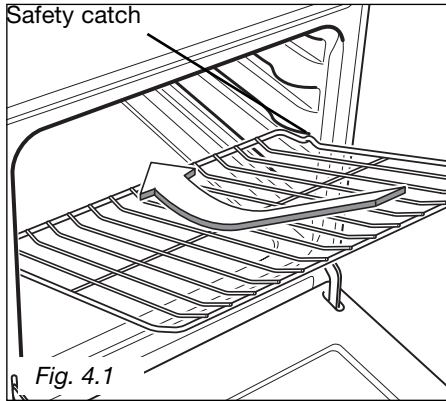
**IMPORTANT:** these parts must be cleaned very carefully to avoid scratching and abrasion. You are advised to use a soft cloth and neutral soap.

## STAINLESS STEEL ELEMENTS

- ✓ Stainless steel parts must be rinsed with water and dried with a soft and clean cloth or with a chamois leather.
- ✓ For difficult dirt, use a specific non-abrasive product available commercially or a little hot vinegar.

## INSIDE OF OVEN

- ✓ This must be cleaned regularly.
- ✓ With the oven warm, wipe the inside walls with a cloth soaked in very hot soapy water or another suitable product.

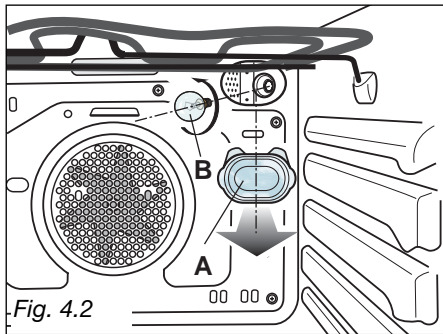


## OVEN SHELF INSTALLATION AND REMOVAL

The oven shelves are provided with a security block to prevent accidental extraction. They must be inserted operating as per figure 4.1.

To pull them out remove shelf in the inverse order.

Pay attention how to insert the shelves correctly (see figure 4.1).

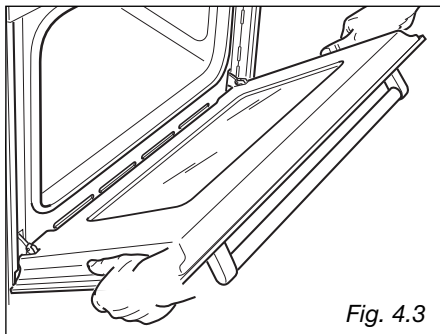


## REPLACING THE OVEN LIGHT (fig. 4.2)

Before any maintenance is started involving electrical parts of the appliance, it must be disconnected from the power supply.

- Let the oven cavity and the heating elements cool down;
- Switch off the electrical supply;
- Remove the protective cover (fig. 4.2);
- Unscrew and replace the bulb with a new one suitable for high temperatures (300°C) having the following specifications: 120V, 60 Hz, 25W, E14
- Refit the protective cover

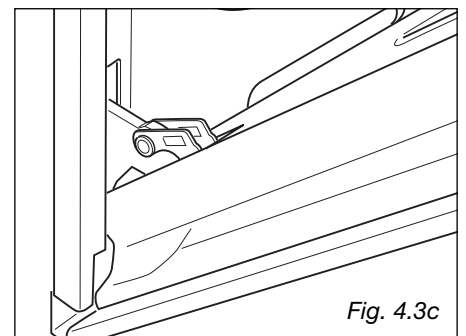
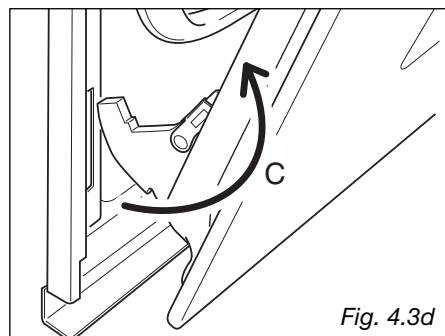
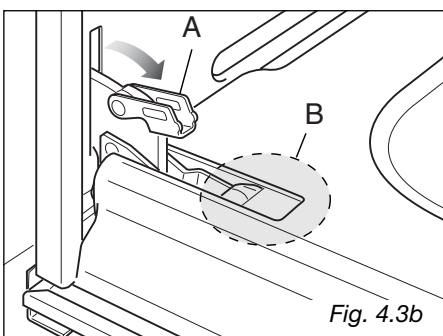
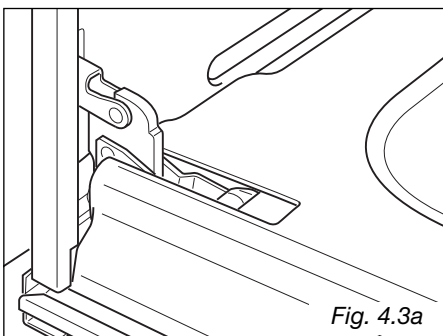
**NOTE:** Oven bulb replacement is not covered by your warranty.



## REMOVING THE OVEN DOOR

The oven door can easily be removed as follows:

- Open the door to the full extent (fig. 4.3a).
- Open the lever "A" completely on the left and right hinges (fig. 4.3b).
- Hold the door as shown in fig. 4.3.
- Gently close the door (fig. 4.3c) until left and right hinge levers "A" are hooked to part "B" of the door (fig. 4.3b)
- Withdraw the hinge hooks from their location following arrow "C" (fig. 4.3d).
- Rest the door on a soft surface.
- To replace the door, repeat the above steps in reverse order.



# INSTALLATION INSTRUCTIONS

## WARNING!

**THIS APPLIANCE HAS TO BE INSTALLED BY A QUALIFIED INSTALLER.**

Installation must conform with local codes.

Improper installation, adjustment, alteration, services, or maintenance can cause injury or property damage. Consult a qualified installer or service agent. **IMPORTANT:** The use of suitable protective clothing/gloves is recommended when handling, installing of this appliance.

**WARNING:** When correctly installed, your product meets all safety requirements laid down for this type of product category.

However special care should be taken around the rear or the underneath of the appliance as these areas are not designed or intended to be touched and may contain sharp or rough edges, that may cause injury.

## GENERAL INFORMATION

1. Installation must conform with local codes.
2. **WARNING:** This appliance shall not be used for space heating. This information is based on safety considerations.
3. Keep appliance area clear and free from combustible materials, gasoline, and other flammable vapors.
4. Disconnect the electrical supply to the appliance before servicing.
5. When removing appliance for cleaning and/or service;
  - A. Disconnect AC power supply.
  - B. Carefully lift appliance out of cabinet cutout.  
**CAUTION:** Use care in handling.
6. **Electrical Requirement**  
Electrical installation should comply with national and local codes.

## WARNING!!

### ELECTRICAL GROUNDING INSTRUCTIONS

The appliance must be electrically grounded in accordance with local codes or, in the absence of local codes, with the National Electrical Code, ANSI/NFPA No.

70-latest edition, in Canada Canadian Electrical Code.

Installation should be made by a licensed electrician.

For personal safety, this appliance must be properly grounded.

## REPLACEMENT PARTS

Only authorized replacement parts may be used in performing service on the appliance. Replacement parts are available from factory authorized parts distributors. Contact the nearest parts distributor in your area.

# 5

## installation to the cabinet

### GENERAL INFORMATION

The oven can be fitted in standard units, minimum width and depth 23" 5/8 (600 mm). Installation requires a compartment as illustrated in figures 5.1 and 5.2.

On the lower side, the oven must lay on supports withstanding the oven weight. The oven should then be secured by 4 screws fitted into the holes provided at the sides of the oven (Fig. 5.3). If you open the oven door, you will see some screw holes. Remember the housing should not be free standing but be secured to the wall and/or adjacent fittings.

### NOTE

It is essential that when installing your oven, adequate air circulation is available within the installation. Inadequate air circulation may greatly impair the performance of your oven and may affect adjacent cabinets due to an increase in temperature.

Adjust the hinges of cabinet door adjacent to the oven to allow a 5 - 7 mm gap between the furniture door and the oven frame.

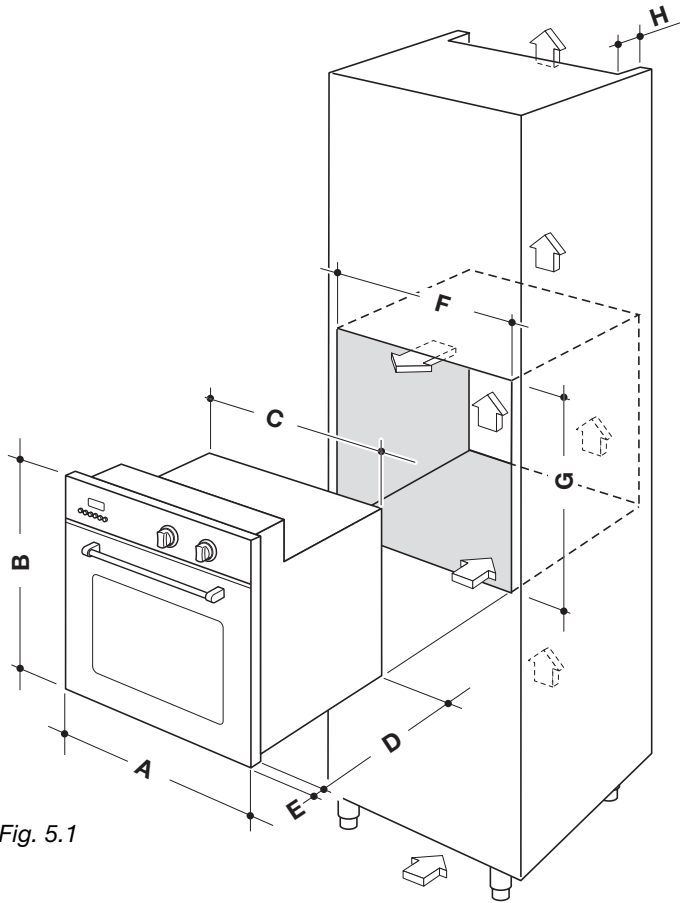


Fig. 5.1

Ref.	inches	mm
A	24"	609.5
B	24"	608.7
C	21" 7/8 max	556 max
D	22" 3/64 max	560 max
E	15/16"	24
F	22" 3/64	560
G	23" 1/32	585
H	1" 31/32	50
I	23" 17/64	591
L	22" 7/16 min	570 min

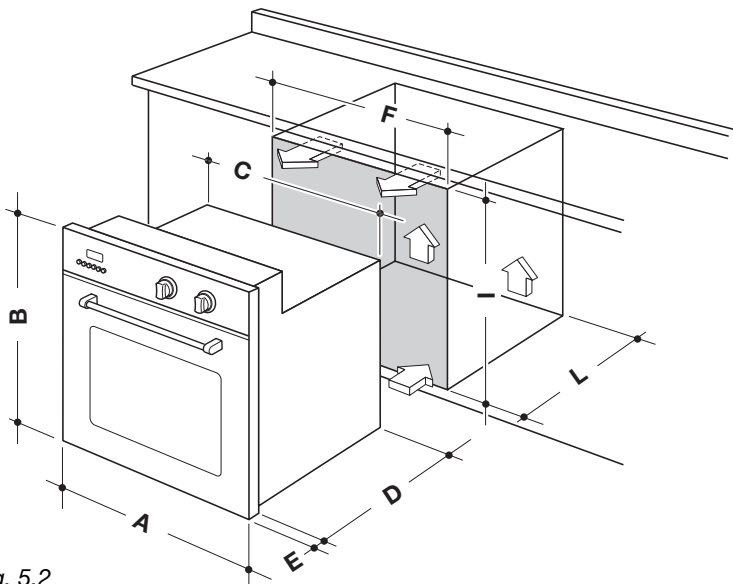


Fig. 5.2

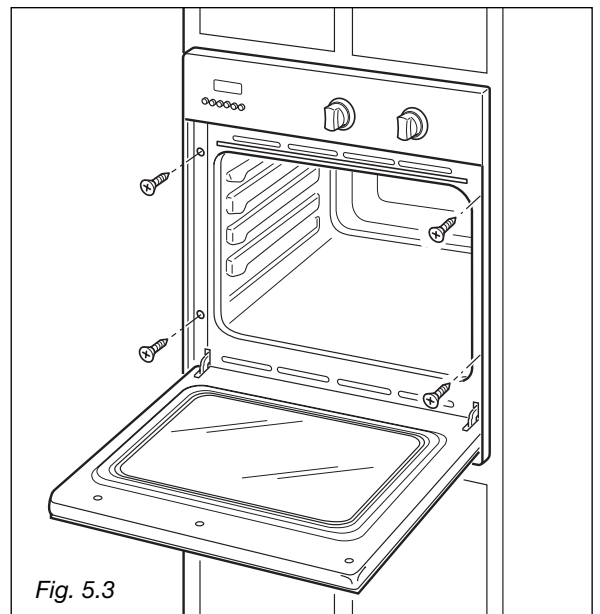


Fig. 5.3



To ensure internal ventilation, aeration channels must be provided as illustrated in the figures 5.4 and 5.5.

**The walls surrounding the oven must be made of heat-resistant material. Taking care NOT to lift the oven by the door handle.**

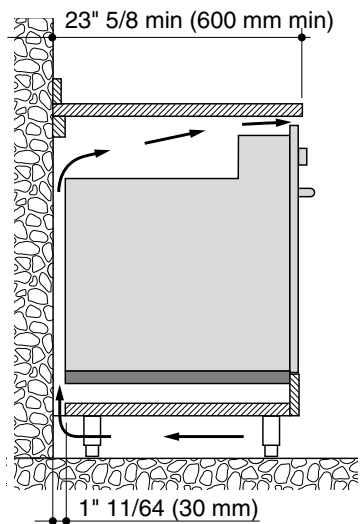


Fig. 5.4

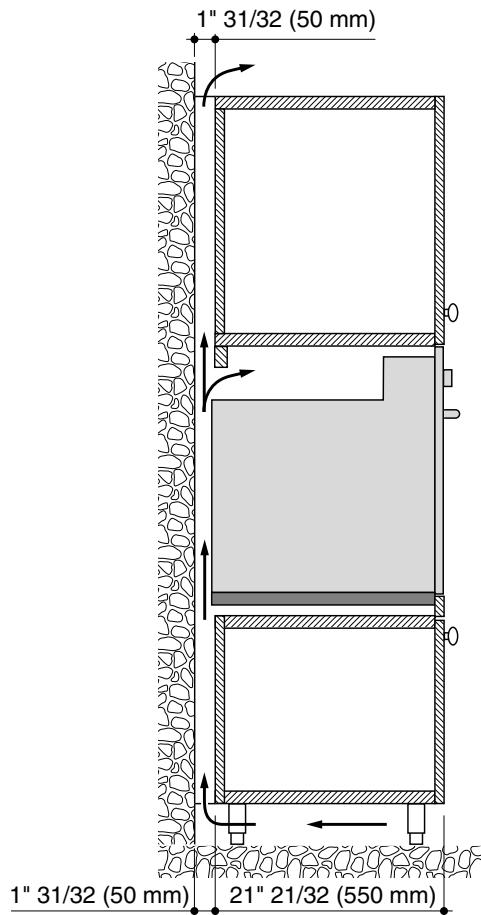


Fig. 5.5

**IMPORTANT:**

**To avoid damage to the lower trim please note the following instructions.**

The lower trim is designed to allow for good air circulation and the correct opening of the oven door.

To ensure the trim is not damaged due to the appliance being placed on the floor, the appliance should be suitably supported as in above illustrations.

After installation the appliance door should be slowly opened to ensure no damage has occurred.

**No responsibility for lower trim damage will be accepted if these instructions have not been followed.**

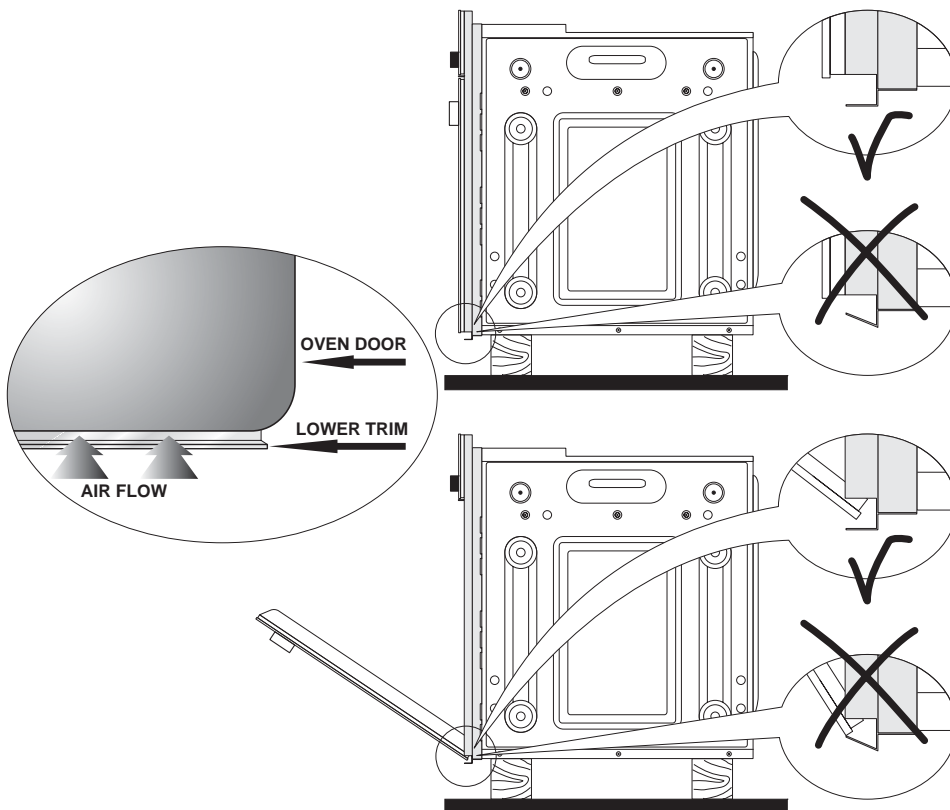


Fig. 5.6



## WARNING

TO AVOID ELECTRICAL SHOCK HAZARD, BEFORE INSTALLING THE APPLIANCE, SWITCH POWER OFF AT THE SERVICE PANEL AND LOCK THE PANEL TO PREVENT THE POWER FROM BEING SWITCHED ON ACCIDENTALLY.

This appliance must be connected to a grounded, metallic permanent wiring system or a ground connector should be connected to the ground terminal or wire lead on the appliance.

This appliance is manufactured with a frame connected, green or bare ground wire. Connect the appliance cable to the junction box through the CSA or UL-listed conduit connector. Complete electrical connection according to local codes and ordinances.

## CONNECT WITH COPPER WIRE ONLY

- ✓ The flexible (4') armoured cable should be connected directly to the junction box.
- ✓ Do not cut the conduit.
- ✓ A CSA or UL-listed conduit connector must be provided at the junction box.
- ✓ Do not ground to a gas pipe.
- ✓ Do not have a fuse in the grounding or neutral circuit.
- ✓ Fuse both supply (phase) lines.
- ✓ A time delay fuse or circuit breaker is recommended.
- ✓ Connect directly to the fused disconnect (or circuit breaker box) through flexible, armored or non-metallic sheathed, copper cable (with grounding wire).
- ✓ If codes permit and a separate grounding wire is used, it is recommended that a qualified electrician determine that the grounding path and wire gauge is in accordance with local codes.

If the appliance is to be completely enclosed in a cabinet, feed the appliance cable through the opening in the cabinet. Make the electrical connection following the appropriate steps for your installation.

1. Disconnect the power supply.
2. Remove the junction box cover.
3. Connect the appliance cable to the junction box through the CSA or UL-listed conduit connector.
4. Connect the two black wires together with twist-on connectors.
5. Connect the two red wires together with twist-on connectors.
6. Connect electrical connection according to local codes and ordinances.

If local codes PERMIT connecting cabinet-grounding conductor to neutral white wire in the junction box:

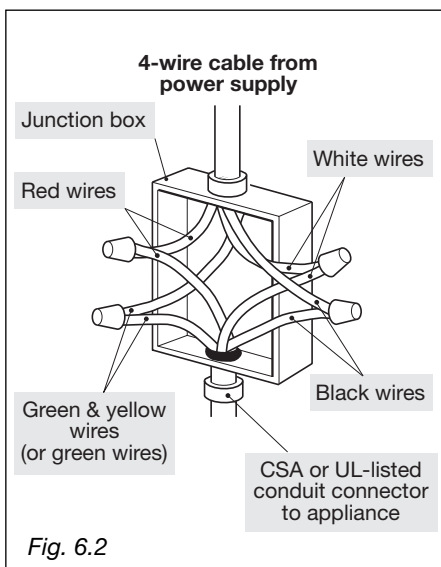
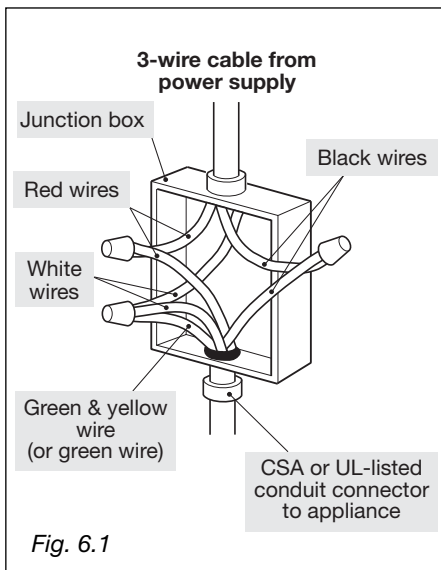
7. Crimp the green & yellow (or green) and white oven wires.
8. Connect the crimped green & yellow (or green) and white oven cable wires to the neutral (white) wire in the junction box (Fig. 6.1).
9. Replace the junction box cover.

OR If local codes DO NOT PERMIT connecting cabinet-grounding conductor to neutral white wire in junction box:

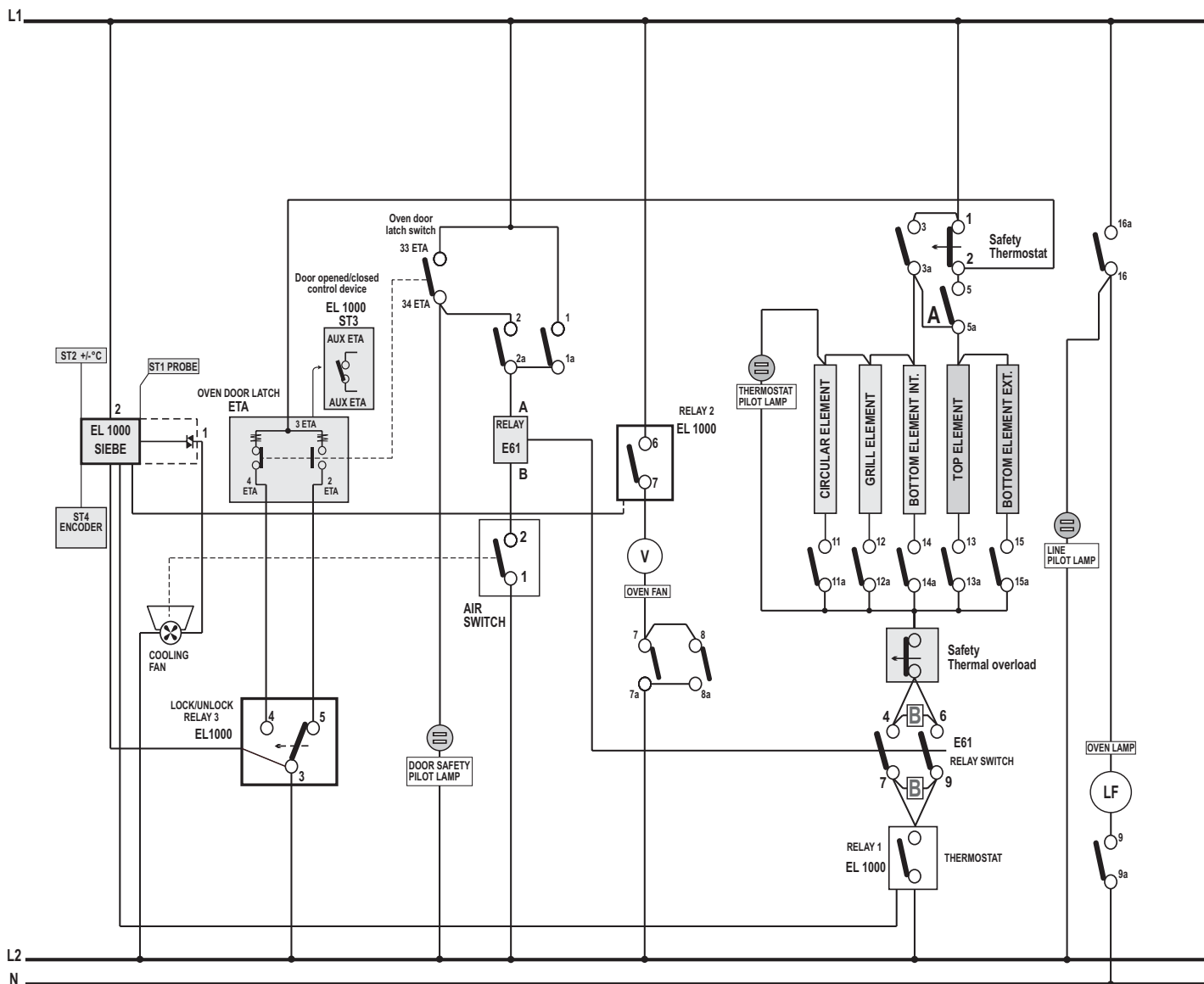
7. Connect white oven cable wire to neutral (white) wire in junction box (Fig. 6.2).
8. Connect the green & yellow (or green) grounding appliance cable wire to a grounded wire in the junction box.
9. Replace the junction box cover.

OR If connecting to a four-wire electrical system:

7. Connect white oven cable wire to neutral (white) wire in junction box (Fig. 6.2).
8. Connect the green & yellow (or green) appliance cable wire to the green & yellow (or green) grounding wire in the junction box.
- Do NOT connect the green & yellow (or green) appliance cable wire to neutral (white) wire in junction box.**
9. Replace the junction box cover.



# ELECTRIC DIAGRAM



L1 - L2 = 240V  
 L1 - N = 120V  
 L2 - N = 120V

*Cher client,*

*Nous vous remercions d'avoir acheté et préféré notre produit.*

*Les mesures de sécurité et les recommandations ci-dessous sont pour votre propre sécurité et pour celle des autres. Elles permettront également de profiter au maximum des fonctions offertes par votre appareil.*

*Veillez ranger le présent livret avec soin. Il pourrait être utile dans le futur, soit pour vous ou pour les autres, dans le cas de doutes à propos du fonctionnement de l'appareil.*

*Cet appareil doit être utilisé uniquement pour la tâche pour laquelle il a été expressément conçu, soit la cuisson des aliments-. Toute autre forme d'utilisation sera considérée incorrecte, et donc, dangereuse.*

*Le fabricant nie toute responsabilité dans le cas de dommages provoqués par l'utilisation inopportune, incorrecte, ou illogique de l'appareil.*



## **IMPORTANT - VEUILLEZ LIRE ET SUIVRE**

- ✓ Avant de commencer, veuillez lire attentivement toutes les instructions.
- ✓ N'enlevez pas du produit les étiquettes, les avertissements ou les plaques apposés à demeure. Cela pourrait annuler la garantie.
- ✓ Veuillez respecter tous les codes et les règlements locaux et nationaux.
- ✓ Veuillez vous assurer que ce produit est bien mis à la terre.
- ✓ **L'installateur doit confier ces instructions au consommateur qui les conservera pour l'usage de l'inspecteur local et pour s'y reporter ultérieurement.**


L'installation électrique doit être conforme à la dernière édition du Code national de l'électricité, ANSI/NFPA70 et/ou aux codes locaux.

AU CANADA : L'installation électrique doit être conforme au Code canadien de l'électricité CSA C22.1, partie 1, en vigueur et/ou aux codes locaux.

**Cet appareil a été conçu et fabriqué uniquement pour la cuisson domestique des aliments et ne convient pas à l'usage non ménager. Cet appareil ne devrait donc pas être utilisé dans un environnement commercial.**

**La garantie de l'appareil sera annulée s'il est utilisé dans un environnement non domestique, c'est-à-dire un environnement semi-commercial, commercial, ou communautaire.**

## CONSIGNES ET RECOMMANDATIONS IMPORTANTES

- ✓ Après avoir déballé l'appareil, assurez-vous qu'il n'est pas endommagé. Si vous n'êtes pas certain, ne l'utilisez pas et consultez votre fournisseur ou un technicien professionnel qualifié.
- ✓ Les éléments d'emballage (sacs de plastique, mousse de polystyrène, clous, feuillets de cerclage, etc.) doivent être gardés hors de la portée des enfants car ils peuvent entraîner de graves blessures.
- ✓ Le matériel d'emballage est recyclable et porte le symbole de recyclage  .
- ✓ N'essayez pas de modifier les caractéristiques techniques de l'appareil. Son utilisation pourrait devenir dangereuse.
- ✓ Le fabricant ne peut être tenu responsable des dommages causés par une utilisation abusive, incorrecte ou imprudente de l'appareil.
- ✓ Si vous décidez de ne plus utiliser cet appareil (ou de remplacer un vieux modèle), il est recommandé, avant de le mettre au rebut, de le rendre inopérant de façon appropriée conformément aux règlements sur la santé et la protection de l'environnement, plus précisément en vous assurant que toutes les pièces potentiellement dangereuses sont rendues inoffensives, advenant le cas où des enfants joueraient avec les vieux appareils.
- ✓ L'installation de l'appareil ainsi que tout raccordement électrique doivent être effectués par un technicien qualifié conformément aux règlements locaux en vigueur et aux directives du fabricant.

## CONSIGNES ET RECOMMANDATIONS IMPORTANTES POUR L'UTILISATION DES APPAREILS ÉLECTRIQUES

L'utilisation de tout appareil électrique suppose la nécessité de suivre une série de règles fondamentales. Plus précisément :

- ✓ Ne touchez jamais l'appareil avec les mains ou les pieds mouillés;
- ✓ Ne faites jamais fonctionner l'appareil lorsque vous êtes pieds nus;
- ✓ Ne permettez pas aux enfants ni à toute autre personne inapte d'utiliser l'appareil sans surveillance.

Le fabricant ne peut être tenu responsable pour des dommages provoqués par une utilisation incorrecte ou abusive de l'appareil.

## UTILISATION DU FOUR POUR LA PREMIÈRE FOIS

Il est recommandé de suivre les étapes suivantes :

- ✓ Équipez l'intérieur du four tel qu'indiqué dans la section « Nettoyage et entretien ».
- ✓ Faites fonctionner le four, vide, à température maximale pendant environ deux heures pour éliminer toute trace de graisse et odeur des composantes.
- ✓ Laissez refroidir le four, coupez l'alimentation électrique, puis nettoyez l'intérieur du four à l'aide d'un linge imbibé d'eau et de détergent neutre et séchez bien.

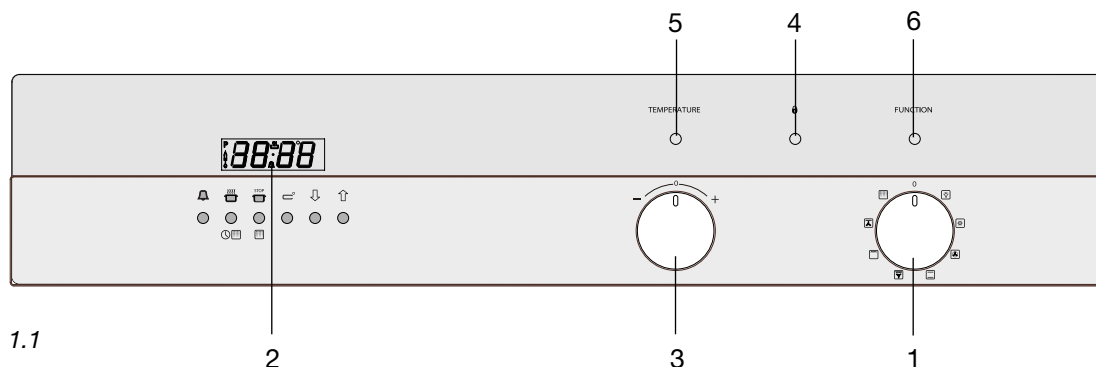


Fig. 1.1

### Commandes du four :

1. Bouton de sélection de fonction
2. Programmateur électronique
3. Bouton de réglage de la température (potentiomètre)
4. Voyant de verrouillage de la porte
5. Voyant de fonctionnement du four
6. Voyant de mise sous tension du four

#### ATTENTION - REMARQUE TRÈS IMPORTANTE

Le bouton de réglage de la température (potentiomètre) tourne vers la droite et vers la gauche jusqu'aux symboles + et -. Forcer le mécanisme pourrait endommager le bouton de réglage de la température.

## CARACTÉRISTIQUES GÉNÉRALES

Le four comporte des caractéristiques de fonctionnement spéciales.

Cinq fonctions différentes sont mises à votre disposition pour satisfaire tous vos besoins de cuisson; la cuisinière comporte aussi une fonction autonettoyante qui permet de nettoyer la cavité du four à haute température, une fonction de décongélation et une fonction d'éclairage du four.

Ces fonctions sont gérées par un programmateur électronique qui maintient le réglage de température constant à l'intérieur de la cavité du four au moyen d'une sonde.

Le four comporte les éléments chauffants suivants :

- Élément chauffant inférieur (double) 500 + 1 300 W
- Élément chauffant supérieur 1 000 W
- Élément chauffant du gril 2 000 W
- Élément chauffant circulaire 2 200 W

## UTILISATION DU FOUR POUR LA PREMIÈRE FOIS

- Insérez la grille et le plateau dans le four.
- Faites fonctionner le four vide (fonction de cuisson – **PAS AUTONETTOYAGE**) à puissance maximale pendant environ 2 heures pour retirer toute trace de graisse et odeur des composantes.
- Une fois le four refroidi et la cuisinière débranchée, nettoyez l'intérieur du four à l'aide d'un linge imbibé d'eau et de détergent neutre et séchez-le en totalité.

### AVERTISSEMENT :

**La porte est chaude, utilisez la poignée.**

## PRINCIPES DE FONCTIONNEMENT

Le chauffage et la cuisson dans le four autonettoyant multifonction sont ainsi obtenus:

- **par convection naturelle**  
La chaleur est produite par les éléments chauffants inférieur et supérieur.
- **par convection forcée**  
La chaleur est produite par l'élément circulaire et diffusée dans le four grâce au ventilateur.
- **par rayonnement**  
La chaleur est irradiée par l'élément du gril infrarouge.
- **par rayonnement et ventilation**  
La chaleur irradiée produite par l'élément du gril infrarouge est diffusée dans le four grâce au ventilateur.
- **par double rayonnement et ventilation**  
Le ventilateur diffuse dans le four la chaleur irradiée par l'élément du gril et l'élément chauffant supérieur.
- **par ventilation**  
Les aliments sont décongelés seulement grâce au ventilateur, sans chaleur.
- **par autonettoyage**  
La chaleur produite par les éléments chauffants nettoie la cavité interne du four et élimine les résidus de graisse.  
**IL NE S'AGIT PAS D'UNE FONCTION DE CUISSON**

## REMARQUES SUR LE FONCTIONNEMENT DU FOUR

Un ventilateur se met en marche automatiquement lorsque vous sélectionnez un mode de cuisson ou l'autonettoyage. Il s'arrête lorsque vous tournez le bouton de sélection de fonction à la position 0 (OFF), lampe ou décongélation, et que la température interne de la cavité du four descend sous 100 °C (212 °F).

La fonction de ce ventilateur est de réduire la température à l'intérieur ou à l'extérieur de l'appareil.

**Remarque :** Lors de la première utilisation du four ou après une panne d'électricité, vous devez mettre en marche le programmateur en pressant simultanément les boutons 2 et 3. Consultez la section portant sur l'utilisation du programmateur électronique.

**Attention :** La porte du four devient très chaude lorsque le four fonctionne.  
**Tenez les enfants à l'écart.**

**TRÈS IMPORTANT**  
**Le four doit toujours être utilisé avec la porte du four fermée.**

### UNE FOIS L'AUTONETTOYAGE COMPLÉTÉ :

- n'entrez pas tout de suite un nouveau cycle d'autonettoyage : **LAISSEZ LE FOUR REFROIDIR.**



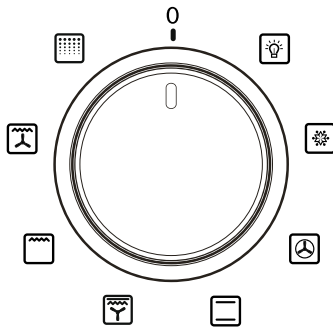


Fig. 2.1

## SÉLECTION DES FONCTIONS (fig. 2.1)

Vous pouvez sélectionner la fonction de cuisson en tournant le bouton de sélection de fonction afin que la marque corresponde au symbole imprimé sur le tableau (ou que le symbole corresponde à la marque imprimée sur le tableau).

**Important : Peu importe la fonction de cuisson utilisée, la PORTE du four doit toujours être FERMÉE.**

Si la porte reste ouverte, l'inscription *door* apparaît sur l'écran d'affichage du programmeur et après cinq minutes, un signal sonore se fait entendre pendant 30 secondes et l'inscription *door* clignote.

Pour arrêter le signal sonore, pressez n'importe quel bouton du programmeur.

**REMARQUE :** Les éléments chauffants fonctionnent même lorsque la porte est ouverte et cet avertisseur ne fait que signaler une perte d'énergie et une chaleur excessive aux tableaux et boutons de commande.



### LAMPE DU FOUR (il ne s'agit pas d'une fonction de cuisson)

Lorsque vous tournez le bouton à cette position, seule la lampe du four s'allume. La lampe est toujours allumée lors de toutes les fonctions de cuisson (sauf lors du cycle d'autonettoyage).



### DÉCONGÉLATION DES ALIMENTS (il ne s'agit pas d'une fonction de cuisson)

Seuls le ventilateur et la lampe du four se mettent en marche. La décongélation est effectuée par le ventilateur, sans chaleur. L'écran du programmeur électronique affiche **DEF**.



#### **Recommandée pour :**

Décongeler rapidement des aliments; environ une heure pour 2,2 lb (1 kg).

Le temps de décongélation varie en fonction de la quantité et du type d'aliment à décongeler.



### CUISSON À CONVECTION AVEC VENTILATION

L'élément circulaire et le ventilateur se mettent en marche. La chaleur provenant de l'arrière est diffusée par ventilo-convection. La température peut être réglée entre 120 °F (50 °C) et 480 °F (250 °C).

Lorsque vous sélectionnez cette fonction, le programmeur électronique commence la cuisson avec une température de préchauffage réglée à 320 °F (180 °C). Pour modifier cette température, voir la section « Réglage de la cuisson ».

#### **Recommandée pour :**

Des aliments de grand volume et en grande quantité qui nécessitent le même degré de cuisson à l'intérieur et à l'extérieur, p. ex. des rôtis roulés, de la dinde, des pilons, des gâteaux, etc.





### CUISSON À CONVECTION CLASSIQUE

Les éléments chauffants supérieur et inférieur se mettent en marche. La chaleur est diffusée par convection naturelle et la température doit être réglée entre 120 °F (50 °C) et 480 °F (250 °C). Lorsque vous sélectionnez cette fonction, le programmeur électronique commence la cuisson avec une température de préchauffage réglée à 350 °F (200 °C). Pour modifier cette température, voir la section « Réglage de la cuisson ».

**Recommandé pour :**

Des aliments nécessitant la même température de cuisson tant à l'intérieur qu'à l'extérieur, p. ex. des rôtis, des côtes levées, etc.



### CUISSON VENTILÉE AVEC DOUBLE GRIL

L'élément infrarouge, l'élément chauffant supérieur et le ventilateur se mettent en marche. La chaleur est diffusée principalement par rayonnement et le ventilateur la distribue dans tout le four. La température peut être réglée entre 120 °F (50 °C) et 480 °F (250 °C).

Lorsque vous sélectionnez cette fonction, le programmeur électronique commence la cuisson avec une température de préchauffage réglée à 480 °F (240 °C).

Pour modifier cette température, consultez la section « RÉGLAGE DE LA CUISSON ».

Pour une utilisation adéquate, voir la section « CUISSON AU GRIL VENTILÉE ».

**Recommandée pour :**

Les viandes qui doivent être cuites à haute température mais qui doivent rester tendres. Le poisson reste plus tendre; retournez-le une fois pendant la cuisson.



### CUISSON AU GRIL

L'élément chauffant infrarouge se met en marche.

La chaleur est diffusée par rayonnement. La température peut être réglée entre 120 °F (50 °C) et 480 °F (250 °C). Lorsque vous sélectionnez cette fonction, le programmeur électronique commence la cuisson avec une température de préchauffage réglée à 480 °F (210 °C).

Pour modifier cette température, consultez la section « RÉGLAGE DE LA CUISSON ».

Pour une utilisation adéquate, consultez la section « CUISSON AU GRIL ».

**Recommandée pour :**

Une action intense de cuisson au grill; pour dorer des plats, pour rendre croustillant, pour griller, etc. Pour une utilisation adéquate, voir la section « CUISSON AU GRIL ».



### CUISSON AU GRIL VENTILÉE

L'élément chauffant infrarouge et le ventilateur se mettent en marche. La chaleur est diffusée principalement par rayonnement et le ventilateur la distribue dans tout le four.

La température peut être réglée entre 120 °F (50 °C) et 480 °F (250 °C). Lorsque vous sélectionnez cette fonction, le programmeur électronique commence la cuisson avec une température de préchauffage réglée à 480 °F (220 °C). Pour modifier cette température, consultez la section « RÉGLAGE DE LA CUISSON ».

**Recommandée pour :**

La cuisson au grill, lorsqu'il faut dorer rapidement l'extérieur et garder les jus à l'intérieur, p. ex. bifteck de veau, bifteck, galette de boeuf haché, etc. Pour une utilisation adéquate, consultez la section « CUISSON AU GRIL ».



## FONCTION AUTONETTOYAGE

(il ne s'agit pas d'une fonction de cuisson)

### REMARQUES IMPORTANTES :

**Il ne s'agit pas d'une fonction de cuisson; la fonction Autonettoyage ne sert qu'à nettoyer le four.**

**Avant de démarrer le cycle d'autonettoyage :**

- Retirez tous les accessoires du four (lèchefrite et grilles).
- Essuyez toute trace de liquide qui aurait débordé.
- Fermez la porte du four et assurez-vous qu'elle est bien fermée.

**Si vous apercevez des fêlures ou des défauts sur la vitre de la porte du four (intérieur/extérieur), si les joints sont abîmés ou usés, ou si la porte ne ferme pas correctement, débranchez l'appareil et contactez le centre de réparation.**

**Attention :** Au cours de l'autonettoyage, les pièces accessibles peuvent devenir très chaudes. Tenez les enfants à l'écart.

### IMPORTANT :

Certains oiseaux sont très sensibles aux vapeurs dégagées pendant l'autonettoyage des fours.

Une exposition à ces vapeurs pourrait causer la mort de certains oiseaux.

Placez toujours les oiseaux dans une autre pièce fermée et bien aérée.


### UNE FOIS L'AUTONETTOYAGE COMPLÉTÉ :

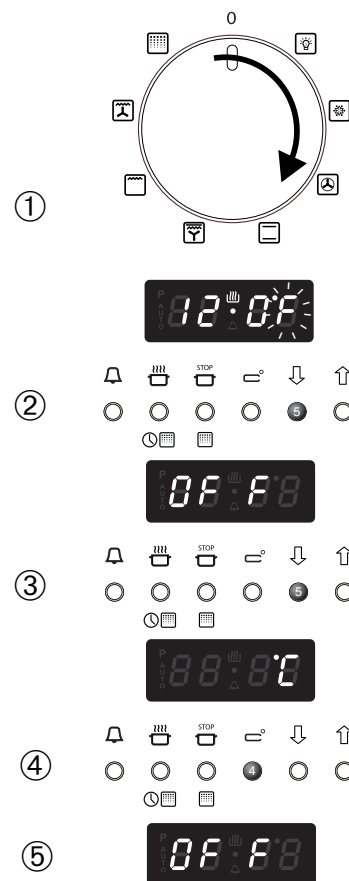
- ne procédez pas immédiatement à un nouveau cycle d'autonettoyage du même four : **LAISSEZ LA CUISINIÈRE REFROIDIR.**

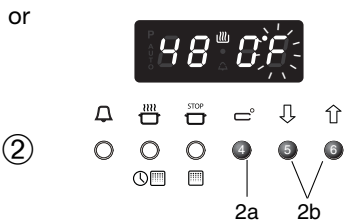
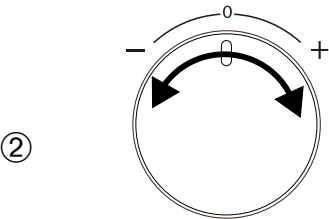
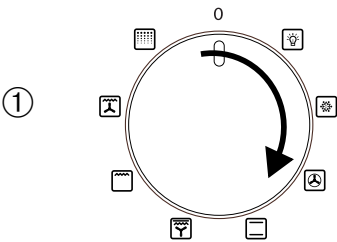
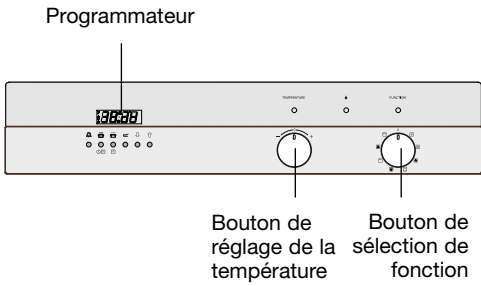
### RENSEIGNEMENTS GÉNÉRAUX

- Cette fonction permet de pulvériser les résidus de graisse de cuisson accumulés sur les parois intérieures de la cavité du four grâce à la température élevée. Les vapeurs produites au cours de cette opération sont filtrées par un catalyseur spécial situé dans la partie supérieure de l'appareil.
- Les odeurs et vapeurs produites au cours de l'autonettoyage ne doivent pas vous inquiéter. Toutefois, la pièce où se trouve la cuisinière devrait être convenablement aérée, par exemple en ouvrant une fenêtre.
- N'attendez pas que le four soit très sale avant de procéder au nettoyage. Toutefois, ne le nettoyez pas après chaque usage, mais seulement lorsque la quantité de saleté le justifie (en moyenne 1 à 2 fois par mois selon l'usage que vous faites de votre four).
- Pour des raisons de sécurité (température élevée de la cavité du four), lorsque l'autonettoyage se met en marche, la porte du four se verrouille automatiquement grâce à un dispositif électronique (après environ 30 secondes, le voyant de verrouillage de la porte s'allume sur le tableau de commande). La porte ne peut désormais plus être ouverte, et elle n'est déverrouillée qu'à la fin du cycle d'autonettoyage ou, si le cycle est arrêté, lorsque la cavité du four a refroidi à une température inférieure à 570 °F (300 °C).
- Lorsque la fonction d'autonettoyage se met en marche, un ventilateur interne démarre automatiquement pour refroidir les parois du four. Il ne s'arrête qu'à la fin du cycle, lorsque la température de la cavité du four est inférieure à 212 °F (100 °C).
- Les procédures de démarrage, d'arrêt et de complétion du cycle d'autonettoyage et la procédure à suivre en cas de problèmes sont décrites aux sections suivantes :
  - « Comment démarrer le cycle d'autonettoyage »
  - « Problèmes de démarrage et d'utilisation du cycle d'autonettoyage »
  - « Comment arrêter l'autonettoyage »
  - « Que faire lorsque l'autonettoyage est terminé »
  - « Situations anormales et/ou problèmes de fonctionnement »

## SÉLECTION DE °F/°C SUR L'ÉCRAN D'AFFICHAGE

1. Tournez le bouton de sélection de fonction du four à une fonction de cuisson (ex. ).
2. Pressez le bouton 5 du programmateur pour réduire la température jusqu'à atteindre la valeur minimale (120 °F/50 °C).
3. Lorsque °F/°C clignote sur l'écran d'affichage, pressez le bouton 5 à nouveau (si °F/°C ne clignote pas, pressez le bouton 4 avant le bouton 5) jusqu'à ce que OFF apparaisse sur l'écran d'affichage.
4. Maintenez le bouton 4 enfoncé pendant environ 3 à 5 secondes jusqu'à ce que l'affichage passe de °C à °F ou vice versa. Lors de la sélection, °C ou °F clignotent.
5. Lorsque OFF réapparaît sur l'écran d'affichage, tournez le bouton de sélection de fonction à 0 (OFF); la sélection de °C ou °F est maintenant complétée.





## RÉGLAGE DE LA CUISSON

### (SEULEMENT POUR LES FONCTIONS DE CUISSON)

**REMARQUE :** Le bouton de réglage de la température (potentiomètre) tourne vers la droite et vers la gauche jusqu'aux symboles + et -. Forcer le mécanisme pourrait endommager le bouton de réglage de la température.

La température réglée est affichée sur l'écran du programmeur électronique et peut être modifiée, à intervalles de 5 °F (5 °C), à l'aide des touches du programmeur.

Lors de la cuisson, la température du four (°F ou °C) est mesurée par un capteur situé à l'intérieur de la cavité et est indiquée sur l'écran d'affichage du programmeur jusqu'à ce que la température réglée soit atteinte. Si la température réglée est inférieure à la température de l'intérieur du four, l'écran affiche la température réglée.

### 1. SÉLECTION DE LA FONCTION DE CUISSON

**Tournez le bouton de sélection de fonction de cuisson requise.**

La température pré-réglée apparaît sur l'écran d'affichage du programmeur. °F ou °C clignotent sur l'écran pendant 3 secondes. Les éléments chauffants commencent la cuisson immédiatement.

### 2. SÉLECTION DE LA TEMPÉRATURE DE CUISSON

**Tourner le potentiomètre dans le sens horaire pour augmenter la température ou dans le sens antihoraire pour la diminuer.**

La température maximale est de 480 °F (250 °C) tandis que la température minimale est de 120 °F (50 °C).

**ou utiliser les touches du programmeur de la façon suivante :**

La température peut être modifiée lorsque °F ou °C clignotent sur l'écran d'affichage.

**2a. Si ni °F ni °C ne clignotent, pressez le bouton 4 du programmeur.**

**2b Pressez le bouton 6 pour augmenter la température ou le bouton 5 pour la réduire.**

La température maximale est de 480 °F (250 °C) tandis que la température minimale est de 120 °F (50 °C).

**Remarque :** Lorsque °F ou °C cessent de clignoter, la valeur indiquée sur l'écran d'affichage représente la température de la cavité du four jusqu'à ce que la température réglée soit atteinte. Si la température réglée est inférieure à la température de l'intérieur du four, l'écran affiche la température réglée.

**Attention :** Si vous réglez la température en dessous de la valeur minimale (120 °F ou 50 °C), le système s'arrête automatiquement et **OFF** s'affiche. Dans ce cas, répétez la procédure à partir du point 2.


### 3. ARRÊT

Tournez le sélecteur à la position **0 (OFF)** (four ARRÊTÉ). L'écran du programmeur affiche l'heure.

## COMMENT DÉMARRER L'AUTONETTOYAGE

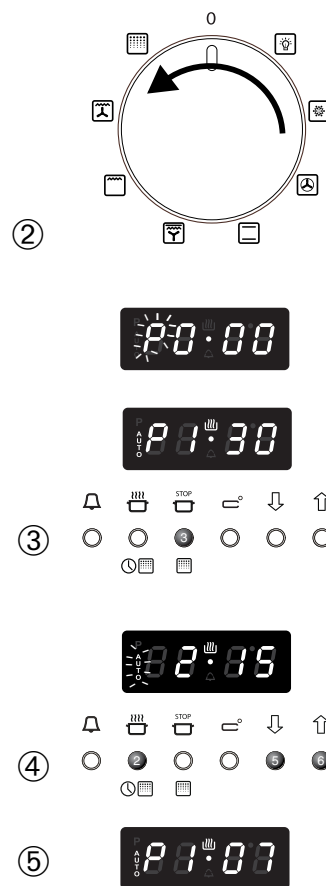
**Important :** L'autonettoyage ne doit être effectué que lorsque le four est vide; donc, avant de démarrer le cycle, retirez tous les accessoires (grilles, lèchefrite, ...) de la cavité du four essuyez toute trace de liquide qui aurait débordé.

N'utilisez aucun produit de dégraissage (ex. pulvérisateur dégraissant, détergents, etc.).

1. Fermez la porte du four (si elle est ouverte ou mal fermée, l'autonettoyage ne démarrera pas).
2. Tournez le bouton de sélection de fonction du four à la position d'autonettoyage ; **P0•00** s'affiche sur l'écran du programmateur électronique et la lettre **P** clignote.
3. Pressez le bouton 3 du programmateur pour démarrer le cycle.  
Cette opération de confirmation combinée offre plus de sécurité pour les enfants; tourner le bouton à la fonction autonettoyage ne produira aucun effet si le bouton 3 du programmateur n'est pas enfoncé.
  - **P1•30** (durée de l'autonettoyage, 1 heure et 30 minutes) s'affiche et la porte se verrouille après environ 30 secondes;
  - Sur le tableau de commande, le voyant de verrouillage de la porte s'allume pour indiquer que la porte est verrouillée.
4. Pour augmenter la durée de l'autonettoyage (max. 5 heures) pressez le bouton 2 du programmateur, puis le bouton 6. Pour réduire la durée à 1 heure et 30 minutes (durée minimale), pressez le bouton 2, puis le bouton 5.
  - Lors du réglage, **AUTO** clignote et **P** disparaît.
5. L'autonettoyage démarre immédiatement et est complété dans le temps programmé.
  - Pendant l'autonettoyage, le programmateur indique le temps (heures et minutes) restant avant la fin du cycle.

### TRÈS IMPORTANT :

L'autonettoyage ne démarre que lorsque la porte du four est fermée. Si la porte du four est ouverte ou mal fermée, le four NE PEUT PAS accomplir le cycle d'autonettoyage; des dispositifs de sécurité électroniques empêchent le démarrage du cycle d'autonettoyage.



## PROBLÈMES DE DÉMARRAGE ET DE FONCTIONNEMENT DU CYCLE D'AUTONETTOYAGE



### 1. door s'affiche en continu

La porte du four était ouverte ou mal fermée lorsque le bouton de sélection de fonction a été tourné à la position autonettoyage. La porte a été ouverte avant la confirmation de démarrage du cycle à partir du bouton 3.

*Que faire :*

Fermez la porte et répétez les étapes précédentes.

- Si la porte n'est pas fermée après 5 minutes, **door clignote et un signal sonore se fait entendre pendant 30 secondes.**

*Que faire :*

Fermez la porte, pressez n'importe quel bouton du programmateur pour arrêter le signal sonore et répétez les opérations de démarrage du cycle.

### 2. door et AUTO clignotent

La porte du four a été ouverte après le démarrage du cycle d'autonettoyage (avant le verrouillage de la porte). Le cycle d'autonettoyage est annulé.

*Que faire :*

1. Fermez la porte. **P0•00** s'affiche sur l'écran du programmateur électronique et la lettre **P** et **AUTO** clignotent.
2. Tournez le bouton de sélection de fonction à **0 (OFF)** et répétez les opérations de démarrage du cycle.

- Si la porte n'est pas fermée après 5 minutes **door clignote et un signal sonore se fait entendre pendant 30 secondes.**

*Que faire :*

Fermez la porte, pressez n'importe quel bouton du programmateur pour arrêter le signal sonore et répétez les opérations de démarrage du cycle.

### 3. F0.00 et AUTO clignotent

Le cycle d'autonettoyage a été arrêté puis redémarré alors qu'il était presque terminé. Le message s'affiche après environ 10 minutes et le cycle d'autonettoyage est annulé.

*Que faire :*

1. Tournez le bouton de sélection à **0 (OFF)**.
2. Attendez au moins 15 minutes.
3. Répétez les opérations de démarrage du cycle d'autonettoyage.
4. Si après plusieurs tentatives le message s'affiche toujours, communiquez avec le centre de réparation.

**Attention : Il est recommandé de ne pas arrêter le cycle d'autonettoyage et le redémarrer lorsque celui-ci est presque terminé.**

## COMMENT ARRÊTER L'AUTONETTOYAGE

### 1. Tournez le bouton de sélection de fonction à 0 (OFF) (four ARRÊTÉ)

#### - Si la température de la cavité du four est supérieure à 570 °F (300 °C)

1a. L'heure apparaît de façon continue sur l'écran d'affichage du programmateur.

1b. Lorsque la température de la cavité du four descend sous 570 °F (300 °C) :

- **OFF** apparaît encore une fois sur l'écran d'affichage du programmateur
- le voyant de verrouillage de la porte s'éteint
- la porte se déverrouille et peut être ouverte

#### - Si la température de la cavité du four est inférieure à 570 °F (330 °C)

1c. L'heure apparaît sur l'écran d'affichage du programmateur

1d. Après un temps technique :

- le voyant de verrouillage de la porte s'éteint
- la porte se déverrouille et peut être ouverte

**IMPORTANT : Attendez que le four refroidisse complètement avant d'utiliser une fonction de cuisson.**

### INTERRUPTION ACCIDENTELLE DU CYCLE D'AUTONETTOYAGE

### 2. Le bouton de sélection de fonction a été placé sur une fonction de cuisson

#### - Si la température de la cavité du four est supérieure à 570 °F (300 °C)

2a. L'heure apparaît de façon continue sur l'écran d'affichage du programmateur.

2b. Lorsque la température de la cavité du four descend sous 570 °F (300 °C) :

- **OFF** apparaît sur l'écran d'affichage du programmateur
- lorsque le voyant de verrouillage de la porte s'éteint (après quelques minutes), la porte se déverrouille et peut être ouverte

2c. Pour revenir aux conditions normales, tournez le bouton de sélection de fonction à **0 (OFF)** (four ARRÊTÉ). L'heure apparaît sur l'écran d'affichage du programmateur.

#### - Si la température de la cavité du four est inférieure à 570 °F (300 °C)

2d. La température préréglée de la fonction choisie apparaît sur l'écran d'affichage du programmateur.

2e. Après un temps technique :

- le voyant de verrouillage de la porte s'éteint
- la porte se déverrouille et peut être ouverte

2f. Pour revenir aux conditions normales, tournez le bouton de sélection de fonction à **0 (OFF)** (four ARRÊTÉ). L'heure apparaît sur l'écran d'affichage du programmateur.

**IMPORTANT : Attendez que le four refroidisse complètement avant d'utiliser une fonction de cuisson.**

## QUE FAIRE LORSQUE LE CYCLE D'AUTONETTOYAGE EST TERMINÉ

### 1. P0.00 et AUTO clignotent.

Attendez que le four refroidisse et que la porte se déverrouille.

Le cycle d'autonettoyage est terminé. **P0.00** s'affichera jusqu'à ce que la porte soit déverrouillée.

La porte reste verrouillée jusqu'à ce que la température de la cavité du four soit inférieure à 570 °F (300°C).

### 2. Le voyant de verrouillage de la porte s'éteint (lorsque la température est inférieure à 570 °F - 300 °C).

**AUTO** et la lettre **P** clignotent.

La porte se déverrouille et peut être ouverte

### 3. Tournez le bouton de sélection de fonction à 0 (OFF) (four ARRÊTÉ).

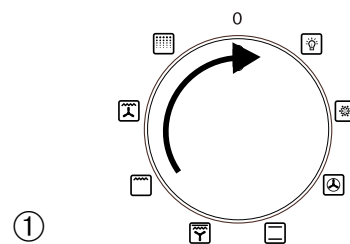
L'heure apparaît sur l'écran d'affichage du programmateur.

### 4. Attendez que le four ait refroidi complètement.

### 5. Enlevez la saleté accumulée.

Ouvrez la porte du four et retirez les résidus de saleté accumulés à l'intérieur du four avec un linge humide.

**IMPORTANT : Avant de remettre le four en marche, peu importe la fonction, attendez que l'appareil ait refroidi complètement.**



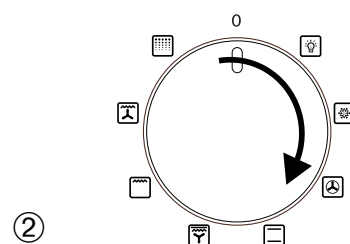
①



1a



1b



②



2a

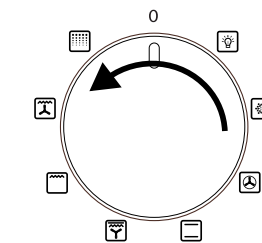


2b

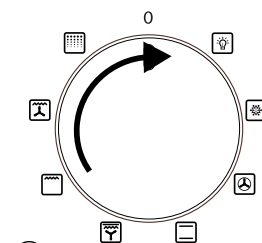


2d

①

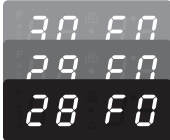


②



③





## SITUATIONS ANORMALES ET/OU PROBLÈMES DE FONCTIONNEMENT

lors de la cuisson ou de l'autonettoyage.

### 1. 30 F0 ou 30 F1 s'affiche lors de la cuisson ou de l'autonettoyage

Le capteur de température du four est abîmé ou ne fonctionne pas convenablement. Le ventilateur reste en marche et si l'autonettoyage est en cours, la porte reste verrouillée.

*Que faire :*

1. Tournez le bouton de sélection de fonction du four à **0 (OFF)** (four ARRÊTÉ). Un compte à rebours de 30 minutes se mettra en marche. Si le bouton de sélection de fonction est tourné puis retourné à **0 (OFF)** le décompte recommencera à partir de 30.
2. Attendez que le décompte soit terminé.  
Le ventilateur s'arrête et la porte, si elle était verrouillée, se déverrouille.
3. Débranchez l'appareil de l'alimentation électrique principale et communiquez avec le centre de réparation; vous ne pouvez plus utiliser votre four.

**Attention :** Si le bouton de sélection de fonction n'est pas tourné à **0 (OFF)** (four ARRÊTÉ), le ventilateur continue de fonctionner et la porte du four, si elle était verrouillée, reste verrouillée.

### 2. F0.00 s'affiche lors de l'autonettoyage

Cela indique une erreur de mesure de la température par le capteur lors du cycle d'autonettoyage. Cette erreur peut être causée par l'arrêt et le redémarrage du cycle d'autonettoyage alors que celui-ci était presque terminé.

*Que faire :*

1. Tournez le bouton de sélection de fonction du four à **0 (OFF)** (four ARRÊTÉ).
2. Attendez au moins **15 minutes** avant de répéter les opérations de démarrage du cycle d'autonettoyage.
3. Si le message s'affiche toujours après plusieurs tentatives, appelez le centre de réparation.

### 3. Rien ne s'affiche à l'écran - Le four ne fonctionne pas correctement.

*Que faire :*

1. Tournez le bouton de sélection de fonction à **0 (OFF)** (four ARRÊTÉ).
2. Attendez que le four ait refroidi complètement et que la porte s'ouvre
3. Éteignez l'appareil pendant quelques secondes.

Si, après cette procédure, rien n'apparaît encore sur l'écran :


4. Débranchez l'appareil de l'alimentation électrique principale.
5. Appelez le centre de réparation. Vous ne devez pas utiliser votre appareil.



## CONSEILS DE CUISINE

### STÉRILISATION

La stérilisation des aliments à conserver dans des pots remplis et hermétiquement fermés, se fait comme suit :

- Tournez le bouton à la position .
- Réglez le thermostat à 350 °F (175 °C) et préchauffez le four.
- Remplissez la lèchefrite d'eau chaude.
- Placez les pots dans la lèchefrite en vous assurant qu'ils ne se touchent pas ni ne touchent la porte, et réglez le thermostat à 260 °F (130 °C).

Lorsque la stérilisation commence, c'est-à-dire lorsque des bulles se forment dans les pots, éteignez le four et laissez refroidir.



**AVERTISSEMENT!!**

**AVERTISSEMENT  
TRÈS IMPORTANT**


**Il est recommandé d'utiliser des gants de cuisine pour manipuler les accessoires du four.**

### RÔTISSAGE

Pour obtenir un rôti classique, il faut se rappeler que :

- la température pré réglée doit être maintenue
- le temps de cuisson dépend de la quantité et du type d'aliments.



### CUISSON SIMULTANÉE DE PLATS VARIÉS

Les positions  du bouton de sélection de fonction du four MULTIFONCTION permettent de cuire différents aliments en même temps. Du poisson, des gâteaux, et de la viande peuvent être cuits ensemble sans que les odeurs ni les saveurs ne se mélangent.

Les seules précautions à suivre sont les suivantes :

- Les températures de cuisson des différents aliments doivent être aussi rapprochées que possible et différer au maximum de 70 à 80 °F (20 à 25 °C).
- Les plats doivent être placés dans le four à des moments différents en fonction du temps de cuisson requis pour chacun d'eux. Ce type de cuisson permet évidemment une économie considérable de temps et d'énergie.

### CUISSON AU GRIL VENTILÉE

La cuisson au gril peut être effectuée en sélectionnant  ou  avec le bouton de sélection de fonction. L'air chaud enveloppe complètement les aliments à cuire. Réglez la température si une température différente de celle pré réglée est requise. Introduisez les aliments à cuire, en plaçant la lèchefrite le plus près possible de l'élément infrarouge.

Fermez la porte et laissez fonctionner le four jusqu'à ce que la cuisson au gril soit terminée.

**Fermez toujours la porte du four lorsque vous utilisez la cuisson au gril.**

**Important : Portez toujours des gants de cuisine lorsque vous introduisez/retirez la lèchefrite du four (voir page suivante).**

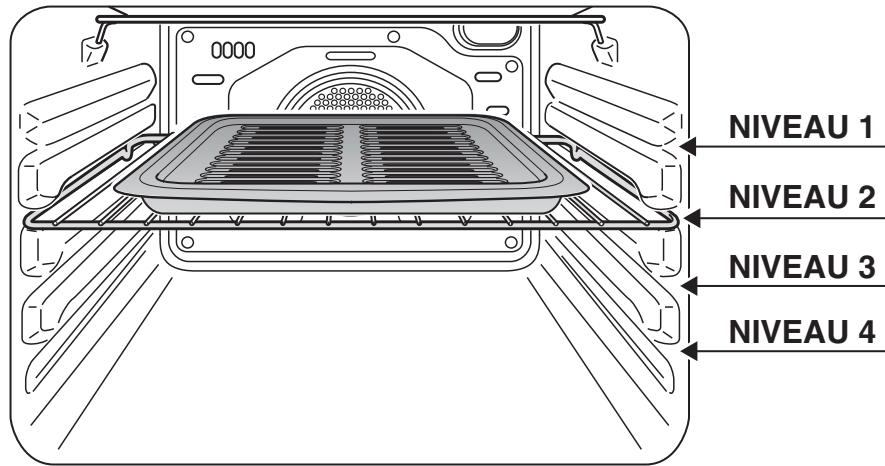


Fig. 2.2

### CUISSON AU GRIL

**Très important : Vous devez toujours fermer la porte du four lorsque vous utilisez l'élément du gril.**

- Placez la grille à la première ou deuxième position à partir du haut (fig. 2.2).
- Allumez l'élément du gril, tel qu'expliqué dans les paragraphes précédents, et laissez préchauffer le four pendant environ 5 minutes en gardant la porte fermée.
- Placez les aliments à cuire sur la lèchefrite.
- Introduisez la lèchefrite (fig. 2.3) dans le four. La lèchefrite devrait être placée sur la grille et centrée avec l'élément du gril (fig. 2.2).

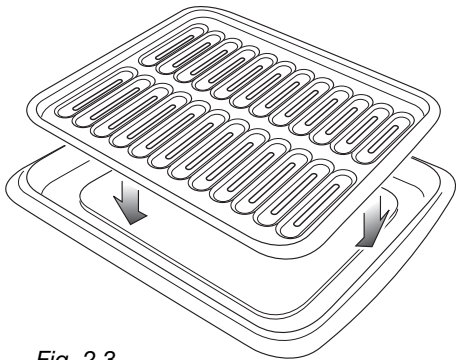


Fig. 2.3

**N'utilisez jamais la cuisson au gril sans utiliser de lèchefrite.**

**Important : Utilisez toujours des gants de cuisine lorsque vous introduisez ou retirez du four la lèchefrite, les grilles, les casseroles ou tout autre ustensile de cuisson.**

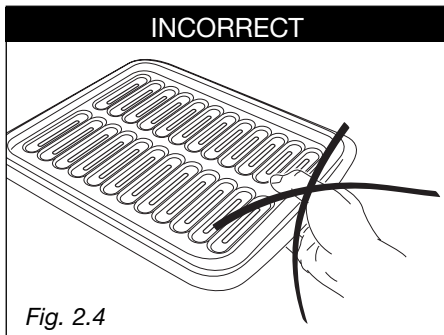


Fig. 2.4

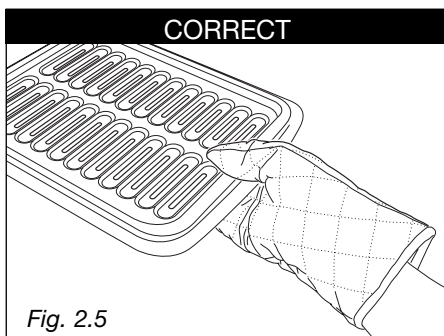

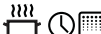






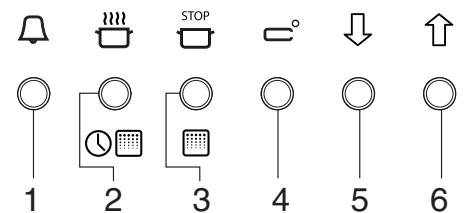
Fig. 2.5

Le programmateur électronique est un dispositif qui regroupe les fonctions suivantes :

- Horloge de 12 heures avec affichage lumineux (P sur l'affichage correspond à PM).
- Minuterie (jusqu'à 23 heures et 59 minutes).
- Programme pour cuisson au four semi-automatique.
- Programme pour cuisson au four automatique.
- Gestion des fonctions de cuisson. Le programmateur peut gérer le réglage de la température lors des différentes fonctions de cuisson.
- Gestion de la fonction Autonettoyage.

## Description des boutons poussoirs :

-  Minuterie (1)
-  Temps de cuisson ou d'autonettoyage (2)
-  Fin de la période de cuisson ou autorisation du démarrage de l'autonettoyage (3)
-  Réglage de la température du four (4)
-  Compte à rebours des chiffres de toutes les fonctions ou de la température à régler (5)
-  Progression des chiffres de toutes les fonctions ou de la température à régler (6)



## Description des symboles lumineux :



- AUTO** Indique le réglage d'un programme
-  Indique que les éléments chauffants fonctionnent
-  Indique que la minuterie fonctionne
- P** Indique l'heure PM

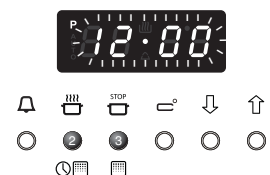
Fig. 3.1

## PREMIÈRE UTILISATION OU UTILISATION APRÈS UNE PANNE D'ÉLECTRICITÉ

Après avoir branché l'appareil à l'alimentation électrique principale ou après une panne d'électricité, le programmateur doit être activé pour fonctionner.

**12:00** clignote sur l'écran d'affichage.

1. Pressez simultanément les boutons 2 et 3.  
Le programmateur se met en marche.



## RÉGLAGE DE L'HEURE

Le programmateur comprend une horloge (12 heures) munie de chiffres lumineux qui indiquent les heures et les minutes.

**Remarque :** Le réglage de l'horloge annulera tous les programmes ou réglages en cours.

1. Pressez simultanément les boutons poussoirs 2 et 3.
2. Pressez les boutons poussoirs 5 et 6 jusqu'à ce que l'heure exacte soit réglée. Au cours de cette procédure, le point entre les heures et les minutes clignotera sur l'écran d'affichage. Si vous maintenez les boutons plus ou moins enfoncés pendant quelques secondes, les chiffres dérouleront plus rapidement.  
**P** sur l'écran d'affichage indique l'heure PM.



## SIGNAL SONORE

Le signal sonore intermittent, d'une durée de 30 secondes, se fait entendre lorsque la minuterie s'arrête ou lorsque la cuisson semi-automatique ou automatique est terminée. Il se fait entendre aussi pour signaler que la porte est ouverte (voir la section portant sur l'utilisation du four).

Pour arrêter le signal sonore, pressez n'importe quel bouton du programmateur.



## MINUTERIE

La fonction de minuterie n'est utilisée que pour compter le temps et n'affecte pas le fonctionnement du four ni tout autre programme réglé ou en cours.

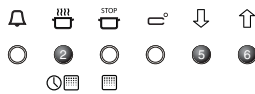
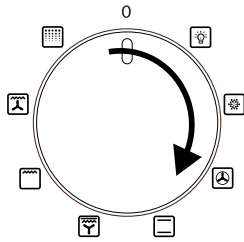
1. Pressez le bouton poussoir 1. Le symbole de cloche commencera à clignoter.
2. Pressez les boutons 5 et 6 pour régler le temps voulu.
3. Le décompte se met en marche immédiatement. Le symbole de cloche cesse de clignoter et l'heure réapparaît.
4. Pour voir apparaître le décompte, pressez le bouton poussoir 1. Le temps sera indiqué en heures et en minutes; les secondes ne sont indiquées qu'au cours de la dernière minute.
5. À la fin du décompte, un signal sonore se fait entendre et le symbole de cloche clignote sur l'écran d'affichage.  
Pressez n'importe quel bouton poussoir pour arrêter le signal sonore.

**AVERTISSEMENT IMPORTANT : Cette fonction n'est qu'une alarme électronique. Elle N'ARRÊTE PAS le four. Rappelez-vous d'ARRÊTER le four à l'aide du bouton de sélection de fonction à la fin du décompte.**

## CUISSON SEMI-AUTOMATIQUE

**Commence la cuisson immédiate et arrête le four automatique après le temps de cuisson programmé.**

### Réglage



1. Réglez la fonction de cuisson en tournant le bouton de sélection de fonction du four à la fonction désirée.
2. La température de cuisson apparaît sur l'écran d'affichage. Pour la modifier, procédez tel qu'expliqué à la section « Réglage de la cuisson ».
3. Pressez le bouton poussoir 2. **AUTO** commence à clignoter et **0.00** s'affiche.
4. Pressez les boutons-poussoirs 5 et 6 pour régler le temps de cuisson (temps de cuisson en heures et minutes : réglez-le à dix minutes de moins que le temps requis; la chaleur emmagasinée complètera la cuisson).
5. Sur l'écran d'affichage **AUTO** apparaîtra en continu et le programme de cuisson se met en marche.

### Au cours de la cuisson

6. Au cours du cycle de cuisson, l'écran affiche la température du four mesurée par la sonde ou la température pré-réglée.  
Pressez le bouton 2 pour afficher le temps restant avant la fin de la cuisson. Le temps et la température de cuisson peuvent varier à tout moment, comme mentionné plus haut.

### À la fin de la cuisson

7. **End** apparaît sur l'écran d'affichage, **AUTO** clignote et le signal sonore se fait entendre.  
Le cycle de cuisson est terminé et le four est ARRÊTÉ.
8. Pressez n'importe quel bouton poussoir du programmeur pour arrêter le signal sonore.
9. **OFF** s'affiche (four ARRÊTÉ).
10. Tournez le bouton de sélection de fonction à **0 (OFF)** (four ARRÊTÉ).
11. L'écran du programmeur affiche l'heure.

**Remarque : À la fin du programme, tournez toujours le bouton de sélection de fonction à 0 (OFF) (four ARRÊTÉ).**

## CUISSON AUTOMATIQUE

Commence la cuisson à l'heure programmée et arrête le four automatiquement après le temps de cuisson programmé.

### Réglage

1. Réglez la fonction de cuisson en tournant le bouton de sélection de fonction du four à la fonction désirée.
2. La température de cuisson apparaît sur l'écran d'affichage. Pour la modifier, procédez tel qu'expliqué dans la section « Réglage de la cuisson ».
3. Pressez le bouton poussoir 2. **AUTO** commence à clignoter et **0.00** s'affiche.
4. Pressez les boutons poussoirs 5 et 6 pour régler le temps de cuisson (temps de cuisson en heures et minutes : réglez-le à dix minutes de moins que le temps requis; la chaleur emmagasinée complètera la cuisson).
5. Sur l'écran d'affichage **AUTO** apparaît en continu et le programme de cuisson se met en marche.
6. Pressez le bouton poussoir 3 (**AUTO** commence à clignoter).
7. Pressez les boutons poussoirs 5 et 6 pour régler le moment où la cuisson devrait s'arrêter.

Les valeurs réglées doivent être correctes. Par exemple, si une période de cuisson de 3 heures commence à 08:00, vous ne pouvez régler la fin de la période à 10:00. Dans ce cas, le programmeur réglera automatiquement la fin de la période de cuisson à 11:00.

8. Sur l'écran d'affichage **AUTO** apparaît en continu et l'heure réapparaît. Le symbole de cuisson disparaît.

### Démarrage de la cuisson

9. Le symbole de casserole s'allume. Le four se met en marche et le cycle de cuisson réglé démarre.

### Au cours de la cuisson

10. Au cours du cycle de cuisson, l'écran affiche la température du four mesurée par la sonde ou la température pré-réglée.

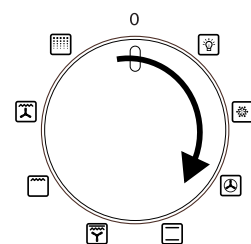
Pressez le bouton 2 pour afficher la durée de cuisson réglée.

Pressez le bouton 3 pour afficher dans combien de temps se terminera la cuisson.

Le temps et la température de cuisson ainsi que la fin de la période de cuisson peuvent varier à tout moment, comme mentionné plus haut.

### À la fin de la cuisson

11. **End** apparaît sur l'écran d'affichage, **AUTO** clignote et le signal sonore se fait entendre.
12. Le cycle de cuisson est terminé et le four est ARRÊTÉ.
13. Pressez n'importe quel bouton poussoir pour arrêter le signal sonore.
14. **OFF** s'affiche (four ARRÊTÉ).
15. Tournez le bouton de sélection de fonction à **0 (OFF)** (four ARRÊTÉ).
16. L'écran du programmeur affiche l'heure.



**Remarque :** À la fin du programme, tournez toujours le bouton de sélection de fonction à **0 (OFF)** (four ARRÊTÉ).

**IMPORTANT :** Au cours du PROGRAMME DE CUISSON AUTOMATIQUE la lampe du four est toujours allumée, tout comme avant le démarrage (éléments chauffants allumés ou fonctionnant par intermittence) de la cuisson programmée.

## ANNULATION D'UN PROGRAMME

Pour annuler un programme, tournez simplement le bouton de sélection de fonction à **0 (OFF)** (four ARRÊTÉ).

**Remarque :** Si au cours d'un programme, le bouton de sélection de fonction est tourné à **0 (OFF)** (four ARRÊTÉ), **AUTONETTOYAGE** ou **éclairage du four**, le programme est annulé.

## EXEMPLES DE PROGRAMMATION DE LA CUISSON AUTOMATIQUE

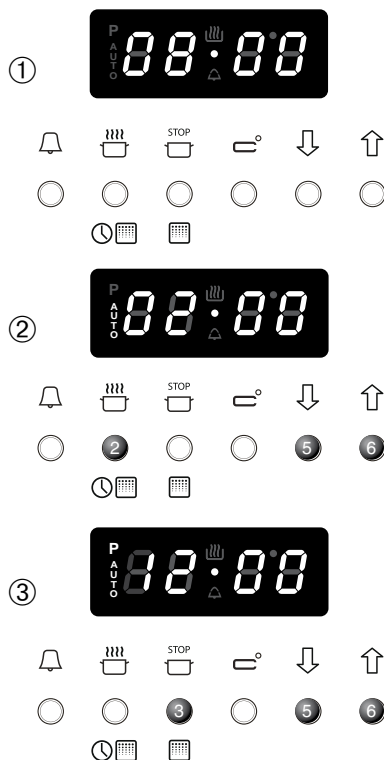
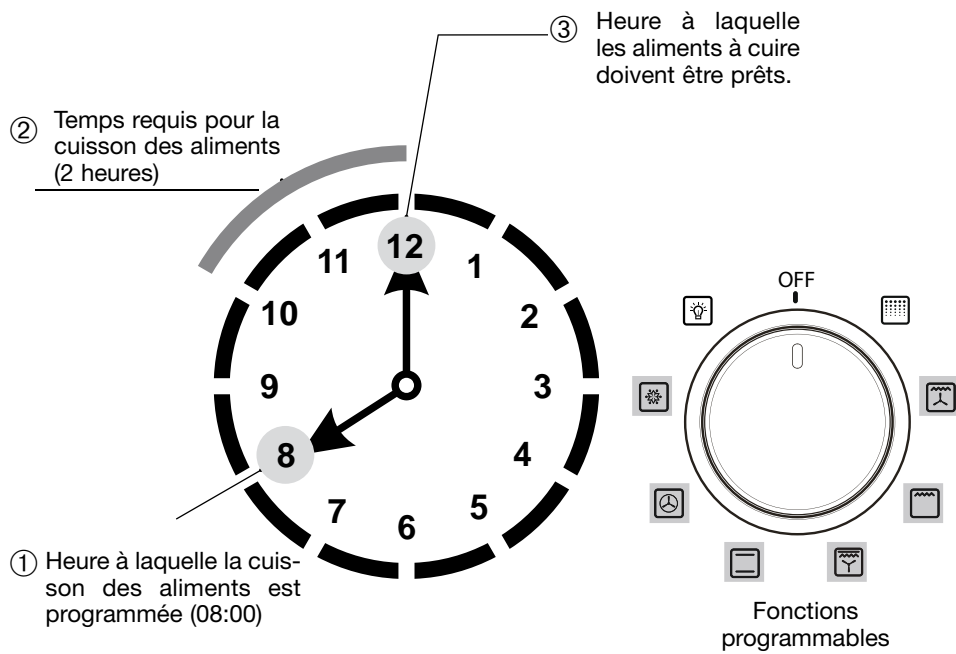


Fig. 5.2

## RECOMMANDATION GÉNÉRALE

- ✓ **Important : Avant toute opération de nettoyage et d'entretien, débranchez l'appareil de l'alimentation électrique.**
- ✓ Il est recommandé de nettoyer l'appareil lorsqu'il est froid, en particulier pour le nettoyage des pièces émaillées.
- ✓ Évitez de laisser des substances alcalines ou acides (jus de citron, vinaigre, etc.) sur les surfaces.
- ✓ Évitez d'utiliser des produits nettoyants à base de chlore ou d'acide.  
Le four doit toujours être nettoyé après chaque utilisation, à l'aide de produits appropriés. Rappelez-vous que faire fonctionner l'appareil pendant 30 minutes à la température maximale élimine la majeure partie de la saleté en la réduisant en cendres.

## AVERTISSEMENT TRÈS IMPORTANT

**Avant toute opération d'entretien, débranchez l'appareil de l'alimentation électrique.**

## PIÈCES ÉMAILLÉES

- ✓ Utilisez seulement une éponge et de l'eau savonneuse ou d'autres produits non abrasifs pour le nettoyage de toutes les pièces émaillées.  
Séchez de préférence avec un chamois.

## PIÈCES PEINTES ET SURFACES IMPRIMÉES PAR SÉRIGRAPHIE

- ✓ Nettoyez en utilisant un produit approprié. Séchez bien.

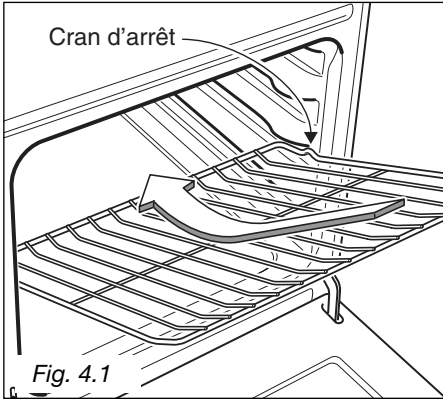
**IMPORTANT :** Ces pièces doivent être nettoyées très soigneusement afin d'éviter les égratignures et l'abrasion. Il est recommandé d'utiliser un linge doux et un savon neutre.

## ÉLÉMENTS EN ACIER INOXYDABLE

- ✓ Les pièces en acier inoxydable doivent être rincées avec de l'eau et séchées avec un linge propre et doux ou avec un chamois.
- ✓ Pour la saleté difficile à déloger, utilisez un produit non-abrasif spécifique disponible dans le commerce ou un peu de vinaigre chaud.

## INTÉRIEUR DU FOUR

- ✓ Il doit être nettoyé régulièrement.
- ✓ Lorsque le four est tiède, essuyez les parois de la cavité du four avec un linge imbibé d'eau savonneuse très chaude ou un autre produit approprié.



## INSTALLATION ET RETRAIT DE LA GRILLE DU FOUR

Les grilles du four sont munies d'un système de blocage qui permet d'éviter qu'elles ne sortent accidentellement du four.

Elles doivent être insérées tel qu'indiqué à la figure 4.1.

Pour les enlever, tirez-les dans le sens contraire.

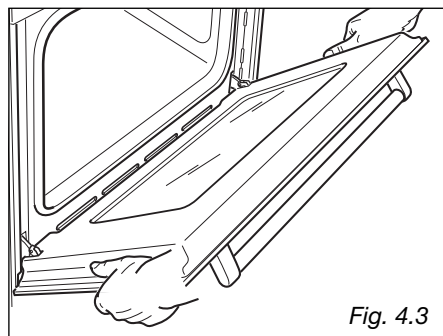
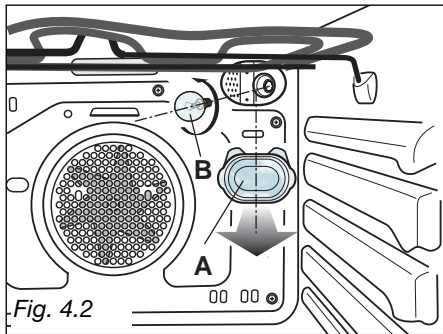
Assurez-vous d'insérer les grilles correctement (voir figure 4.1).

## REPLACEMENT DE LA LAMPE DU FOUR (fig. 4.2)

Avant d'entreprendre toute opération d'entretien impliquant des pièces électriques, vous devez débrancher l'appareil de l'alimentation électrique.

- Laissez refroidir la cavité du four et les éléments chauffants.
- Coupez l'alimentation électrique.
- Retirez le couvercle de protection (fig. 4.2).
- Dévissez et remplacez l'ampoule. La nouvelle ampoule doit être adaptée à de hautes températures (300 °C) et comporter les caractéristiques suivantes : 120 V, 60 Hz, 25 W, E14.
- Remplacez le couvercle de protection.

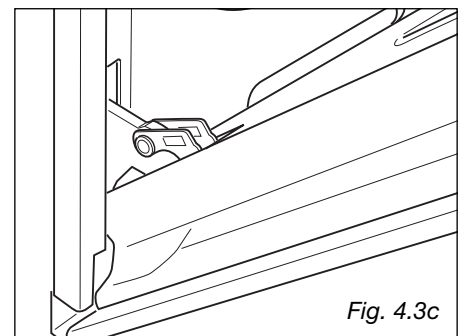
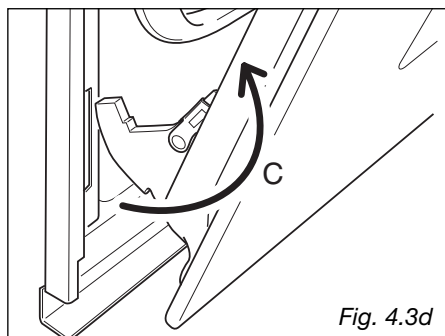
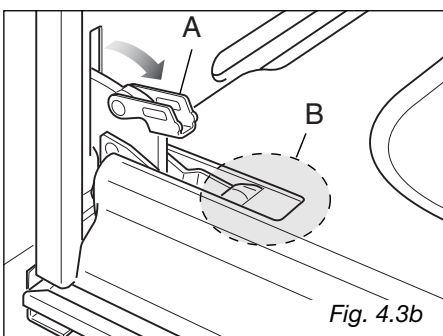
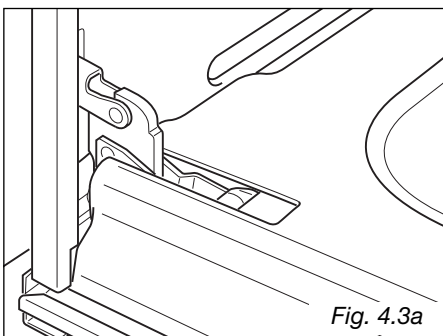
**REMARQUE** : Le remplacement de l'ampoule du four n'est pas couvert par votre garantie.



## RETRAIT DE LA PORTE DU FOUR

Vous pouvez facilement enlever la porte du four en procédant comme suit :

- Ouvrez complètement la porte du four (fig. 4.3a).
- Ouvrez complètement le levier « A » sur les charnières gauche et droite (fig. 4.3b).
- Tenez la porte tel qu'indiqué à la fig. 4.3.
- Refermez doucement la porte (fig. 4.3) jusqu'à ce que les leviers « A » des charnières soient accrochés aux parties « B » de la porte (fig. 4.3b).
- Retirez les crochets des charnières de leur emplacement comme le montre la flèche « C » (fig. 4.3d).
- Déposez la porte sur une surface douce.
- Pour remplacer la porte, répétez les étapes ci-dessus dans l'ordre inverse.





# INSTRUCTIONS D'INSTALLATION

## AVERTISSEMENT!

**CET APPAREIL DOIT ÊTRE INSTALLÉ PAR UN INSTALLATEUR QUALIFIÉ.**

Cet appareil doit être installé conformément aux codes locaux.

Une mauvaise installation, modification, réparation, ou un mauvais réglage ou entretien peuvent causer des blessures ou des dommages matériels. Consultez un installateur qualifié ou un agent autorisé. **IMPORTANT** : L'utilisation de vêtements et de gants de protection est recommandée lors de la manutention et l'installation de cet appareil.

**AVERTISSEMENT** : Lorsqu'il est correctement installé, votre appareil répond à toutes les exigences de sécurité prescrites pour ce type de produit.

Toutefois, vous devez porter une attention particulière à l'arrière et au dessous de l'appareil, car ces endroits ne sont pas conçus pour être touchés et certaines parties peuvent s'avérer tranchantes ou rugueuses et peuvent causer des blessures.

## RENSEIGNEMENTS GÉNÉRAUX

1. L'installation doit être conforme aux codes locaux.
2. **AVERTISSEMENT** : Cet appareil ne doit pas être utilisé pour chauffer une pièce. Ces renseignements sont basés sur des facteurs de sécurité.
3. Gardez l'appareil loin des matériaux combustibles, de l'essence ou de toute autre vapeur inflammable.
4. Coupez l'alimentation électrique de l'appareil avant de procéder à l'entretien.
5. Lors du déplacement de l'appareil pour le nettoyage et/ou l'entretien :
  - A. Coupez l'alimentation c.a.
  - B. Sortez délicatement l'appareil de l'ouverture de l'armoire.  
**ATTENTION** : Manipulez avec soin.
6. **Exigences électriques**  
L'installation électrique doit être conforme aux codes nationaux et locaux.

## INSTRUCTIONS DE MISE À LA TERRE

L'appareil doit être mis à la terre conformément aux codes locaux en vigueur ou, en l'absence de codes locaux, à la dernière édition du Code national de l'électricité, ANSI/NFPA No. 70. **AU CANADA** : L'installation électrique doit être conforme au Code canadien de l'électricité CSA C22.1, partie 1, en vigueur et/ou aux codes locaux. L'installation devrait être effectuée par un électricien agréé.

Pour votre sécurité, cet appareil doit être correctement mis à la terre.

## PIÈCES DE RECHANGE

Seules les pièces de rechange autorisées peuvent être utilisées lors d'une réparation sur l'appareil. Des pièces de rechange sont disponibles chez les concessionnaires de pièces d'origine. Veuillez communiquer avec le concessionnaire de pièces dans votre région.

## RENSEIGNEMENTS GÉNÉRAUX

Le four peut être installé dans des modules standards, d'une largeur et d'une profondeur minimales de 23-5/8 po (600 mm).

L'installation nécessite un compartiment tel qu'illustré aux figures 5.1 et 5.2.

Au bas, le four doit reposer sur des supports pouvant supporter son poids.

Le four devrait ensuite être fixé par 4 vis insérées dans les trous prévus à cet effet sur les côtés du four (fig. 5.3). Si vous ouvrez la porte du four, vous verrez des trous pour les vis. Rappelez-vous que le boîtier ne devrait pas être autonome, mais plutôt fixé au mur et/ou aux installations adjacentes.

### REMARQUE

Lorsque vous installez votre four, il est essentiel que la circulation d'air à l'intérieur de l'installation soit adéquate.

Un circulation d'air inadéquate peut entraver considérablement la performance de votre four et endommager les armoires adjacentes étant donné la température élevée.

Ajustez les charnières de la porte de l'armoire adjacente au four de sorte qu'il y ait un espace de 5 à 7 mm entre la porte de l'armoire et le châssis du four.

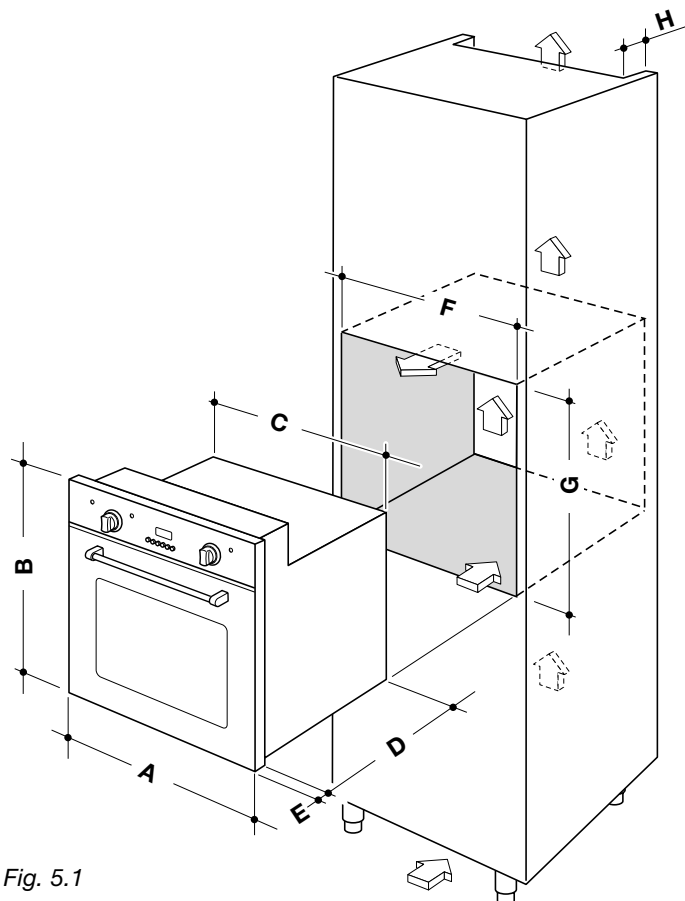


Fig. 5.1

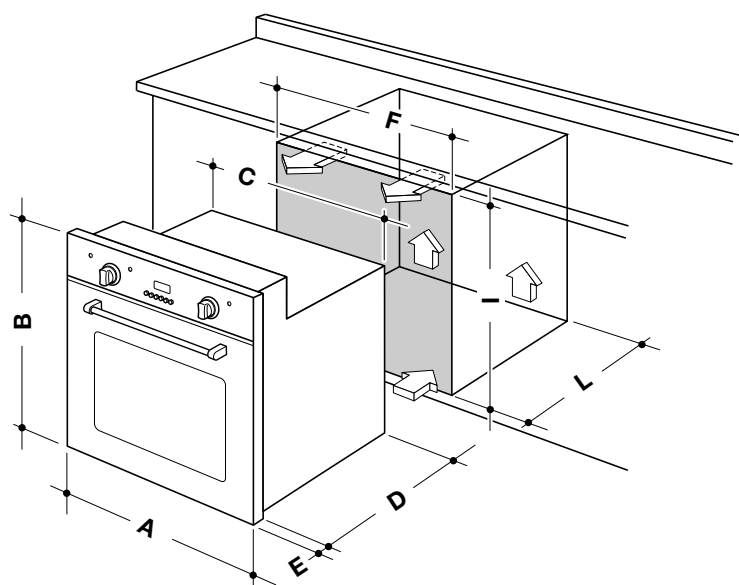


Fig. 5.2

Réf.	pouces	mm
A	24	609,5
B	24	608,7
C	21-7/8 max.	556 max.
D	22-3/64 max.	560 max.
E	15/16	24
F	22-3/64	560
G	23-1/32	585
H	1-31/32	50
I	23-17/64	591
L	22-7/16 min.	570 min.

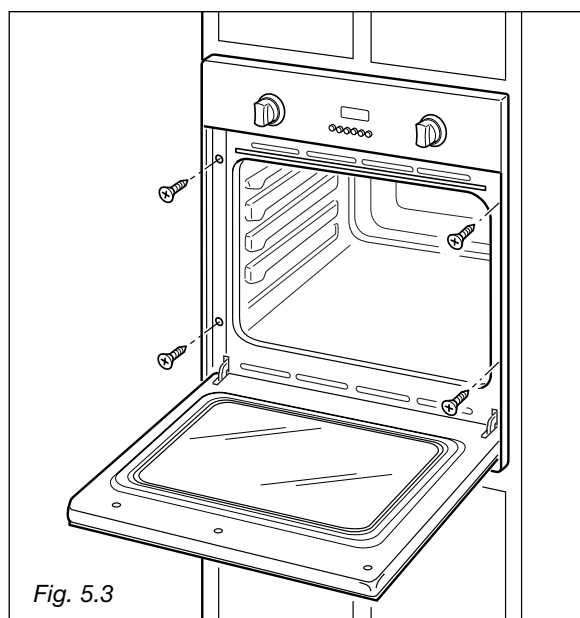


Fig. 5.3

Pour assurer la ventilation interne, des canaux d'aération doivent être installés tel qu'illustré aux figures 5.4 et 5.5.

**Les parois entourant le four doivent être faites de matériaux résistants à la chaleur.**

**Prenez soin de NE PAS soulever le four par la poignée de porte.**

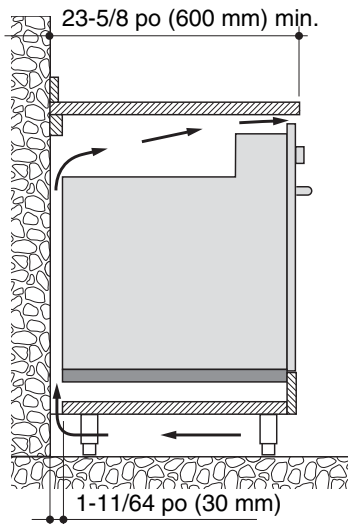


Fig. 5.4

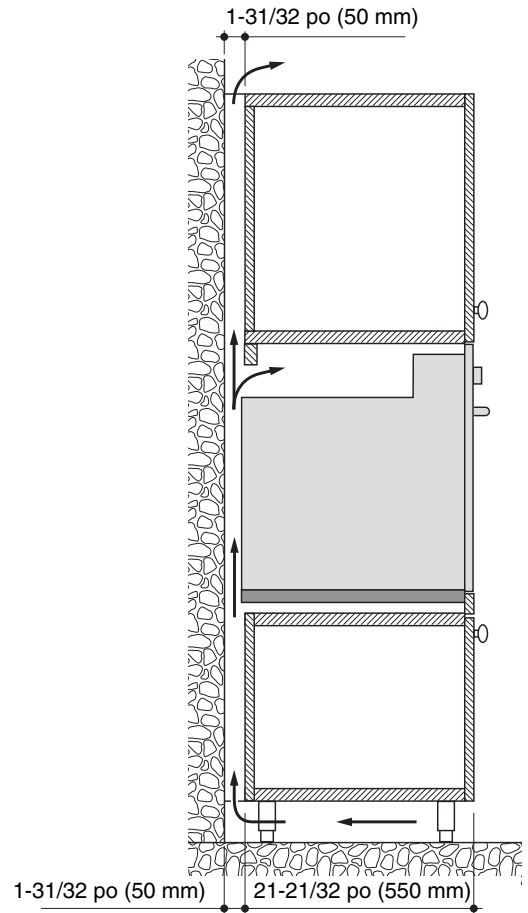


Fig. 5.5

**IMPORTANT :**

**Pour éviter d'endommager la finition inférieure, veuillez prendre note des directives suivantes.**

La finition inférieure est conçue de façon à permettre une bonne circulation de l'air et une ouverture adéquate de la porte du four.

Pour vous assurer que vous n'endommagez pas la finition en posant l'appareil sur le sol, l'appareil devrait être supporté de façon appropriée conformément aux illustrations ci-contre.

Après l'installation, la porte de l'appareil devrait être ouverte doucement pour s'assurer qu'il n'y a eu aucun dommage.

**Aucune responsabilité ne sera acceptée quant aux dommages de la finition inférieure si ces directives n'ont pas été suivies.**

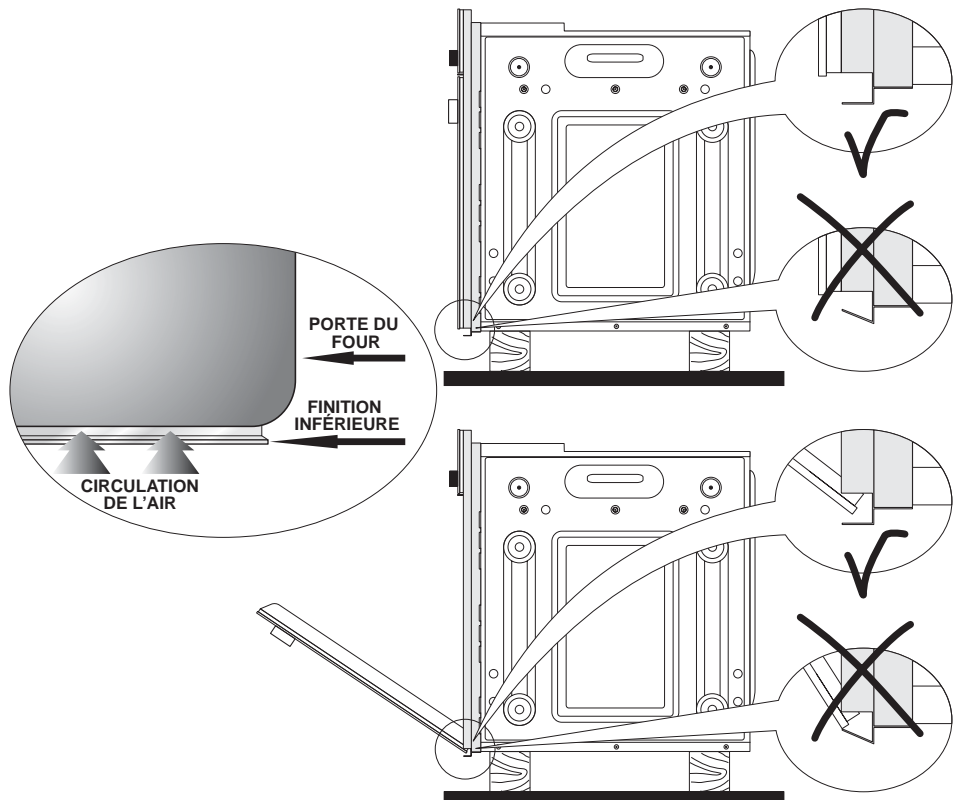
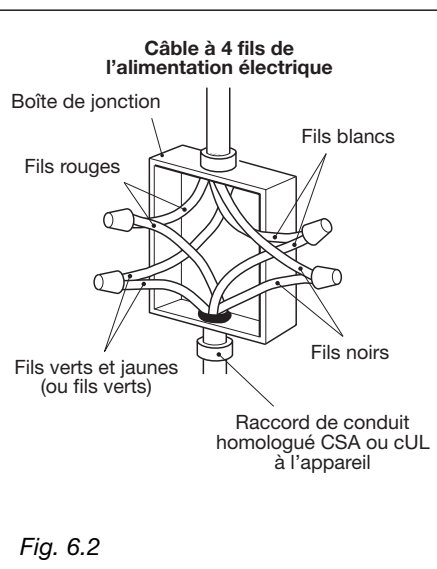
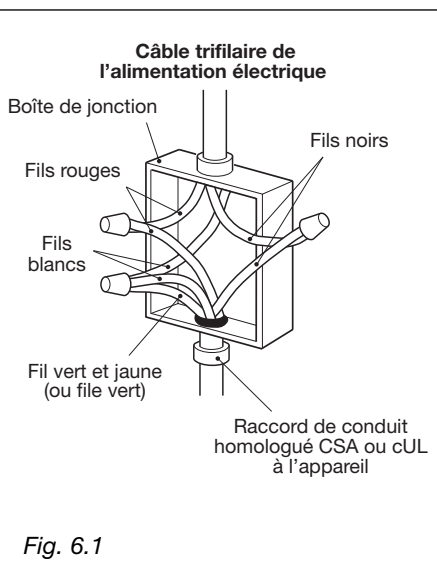


Fig. 5.6

**AVERTISSEMENT**

**AVANT D'INSTALLER L'APPAREIL, POUR ÉVITER TOUT RISQUE DE CHOC ÉLECTRIQUE, COUPEZ LE COURANT AU TABLEAU DE DISTRIBUTION ET VEILLEZ À CE QUE CE DERNIER SOIT VERROUILLÉ AFIN D'ÉVITER UNE MISE SOUS TENSION ACCIDENTELLE.**



**Cet appareil doit être connecté à un système de câblage métallique permanent mis à la terre. Sinon, une cosse de mise à la terre devrait être connectée à la prise de terre ou au fil conducteur sur l'appareil.**

Un fil de mise à la terre nu ou vert a été raccordé au châssis de cet appareil lors de la fabrication. Branchez le câble d'alimentation de l'appareil à la boîte de jonction par l'intermédiaire du raccord de conduit homologué CSA ou cUL. Complétez le raccordement électrique conformément aux codes et règlements locaux en vigueur.

**Avertissement :** Un raccordement incorrect du câblage en aluminium du domicile à des fils en cuivre présente un risque de nature électrique et peut entraîner un incendie. N'utilisez que des connecteurs conçus pour le raccordement du cuivre à l'aluminium et suivez attentivement les instructions de leur fabricant.

**RACCORDEMENT AVEC FIL DE CUIVRE SEULEMENT**

- ✓ Le câble blindé flexible (4 pi) devrait être branché directement à la boîte de jonction.
- ✓ Ne coupez pas le conduit.
- ✓ Un raccord de conduit homologué CSA ou cUL doit être installé à la boîte de jonction.
- ✓ Ne mettez pas à la terre à un tuyau de gaz.
- ✓ N'installez pas de fusibles dans le circuit de mise à la terre ou le circuit neutre.
- ✓ Équipez les deux conducteurs (de phase) d'un fusible.
- ✓ L'utilisation d'un fusible temporisé ou d'un disjoncteur est recommandée.
- ✓ Connectez le four directement au tableau de distribution (par le biais du disjoncteur ou fusible) à l'aide d'un câble flexible à conducteur de cuivre, blindé ou à gaine non métallique (muni d'un fil de mise à la terre).
- ✓ Si les codes le permettent et que vous utilisez un fil de mise à la terre, il est recommandé qu'un électricien qualifié vérifie que le trajet de mise à la terre et le calibre du câble sont conformes aux codes locaux.

**Si l'appareil doit être encastré complètement dans une armoire, faites passer le câble d'alimentation de l'appareil par l'ouverture pratiquée dans l'armoire. Effectuez le raccordement électrique en suivant les étapes appropriées pour l'installation.**

1. **Coupez l'alimentation électrique.**
2. Enlevez le couvercle de la boîte de jonction.
3. Branchez le câble d'alimentation de l'appareil à la boîte de jonction par l'intermédiaire du raccord de conduit homologué CSA ou cUL.
4. Connectez ensemble les deux fils noirs à l'aide de connecteurs verrouillés par rotation.
5. Connectez ensemble les deux fils rouges à l'aide de connecteurs verrouillés par rotation.
6. Branchez la connexion électrique conformément aux codes et règlements locaux en vigueur.

**Si les codes locaux PERMETTENT le raccordement du conducteur de mise à la terre de l'armoire au fil neutre de la boîte de jonction :**

7. Sertissez les fils verts et jaunes (ou verts) et blancs du four.
8. Connectez les fils sertis blancs du câble du four au fil neutre (blanc) de la boîte de jonction (Fig. 6.1).
9. Remplacez le couvercle de la boîte de jonction.

**OU Si les codes locaux NE PERMETTENT PAS le raccordement du conducteur de mise à la terre de l'armoire au fil neutre (blanc) de la boîte de jonction :**

7. Connectez le fil blanc du câble du four au fil neutre (blanc) de la boîte de jonction (Fig. 6.2).
8. Connectez le fil vert et jaune (ou vert) du câble de mise à la terre de l'appareil au fil relié à la terre de la boîte de jonction.
9. Remplacez le couvercle de la boîte de jonction.

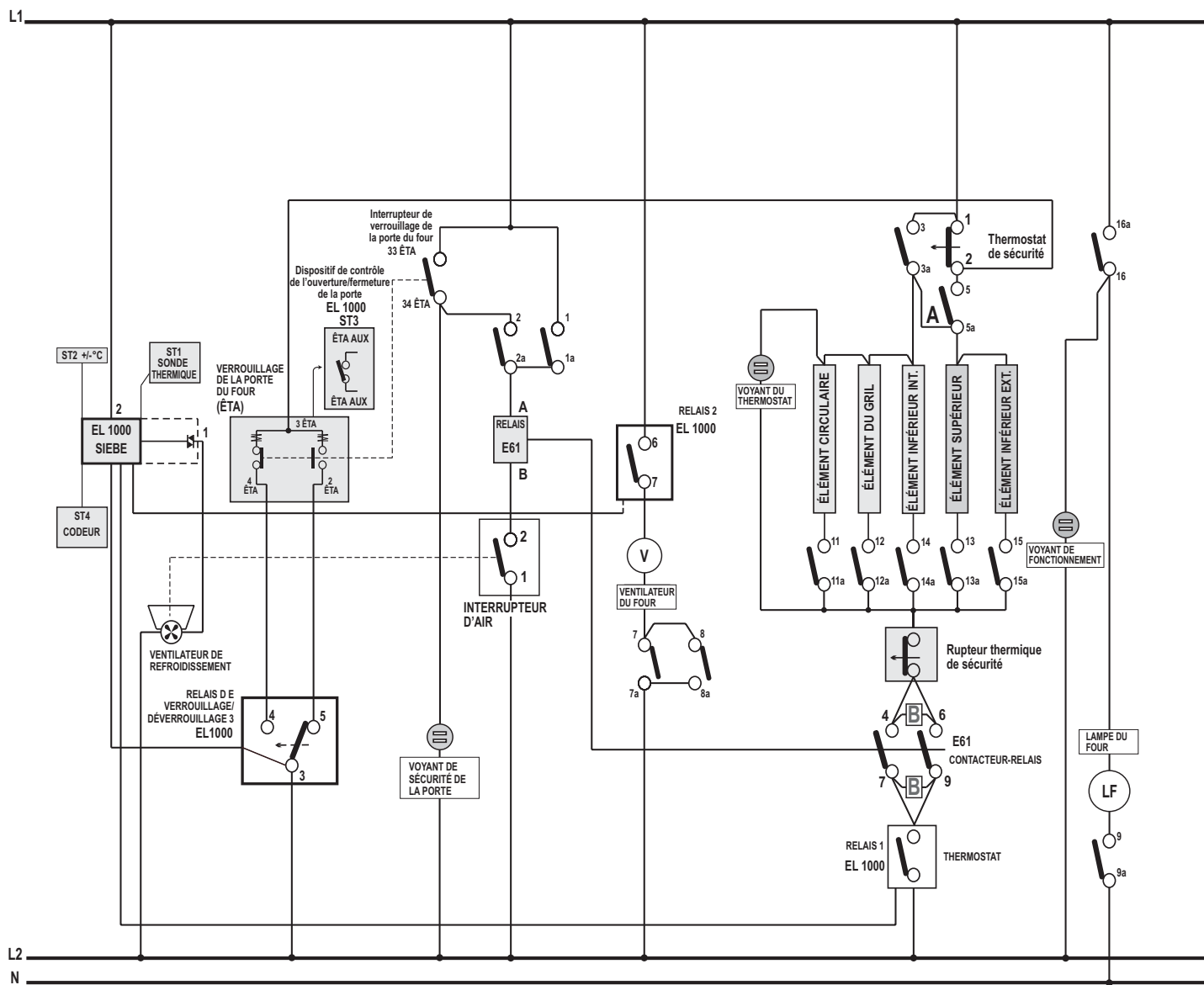
**OU Si vous raccordez l'appareil à un système électrique à quatre fils :**

7. Connectez le fil blanc du câble du four au fil neutre (blanc) de la boîte de jonction (Fig. 6.2).
8. Connectez le fil vert et jaune (ou vert) du câble de l'appareil au fil vert et jaune (ou vert) de mise à la terre de la boîte de jonction.

**NE CONNECTEZ PAS le fil vert et jaune (ou vert) du câble de l'appareil au fil neutre (blanc) de la boîte de jonction.**

9. Remplacez le couvercle de la boîte de jonction.

# SCHÉMA ÉLECTRIQUE



L1 - L2 = 240 V  
 L1 - N = 120 V  
 L2 - N = 120 V





**Copyright © Fisher & Paykel 2007. All rights reserved.**

The product specifications in this booklet apply to the specific products and models described at the date of issue. Under our policy of continuous product improvement, these specifications may change at any time. You should therefore check with your Dealer to ensure this booklet correctly describes the product currently available.

**Droits réservés © Fisher & Paykel 2007.**

Les spécifications du produit contenues dans ce manuel s'appliquent aux modèles et produits spécifiques comme décrits à la date de publication. Dans le cadre de notre politique d'améliorations en permanence de nos produits, ces spécifications pourront être modifiées à tout moment. Nous vous recommandons de vérifier auprès de votre revendeur que ce manuel décrit le produit actuellement disponible.

**[www.usa.fisherpaykel.com](http://www.usa.fisherpaykel.com)**

US CA

Built-in oven user guide

Published: 03/2007

Part No. 599406 A

Elba Part No. 1103005